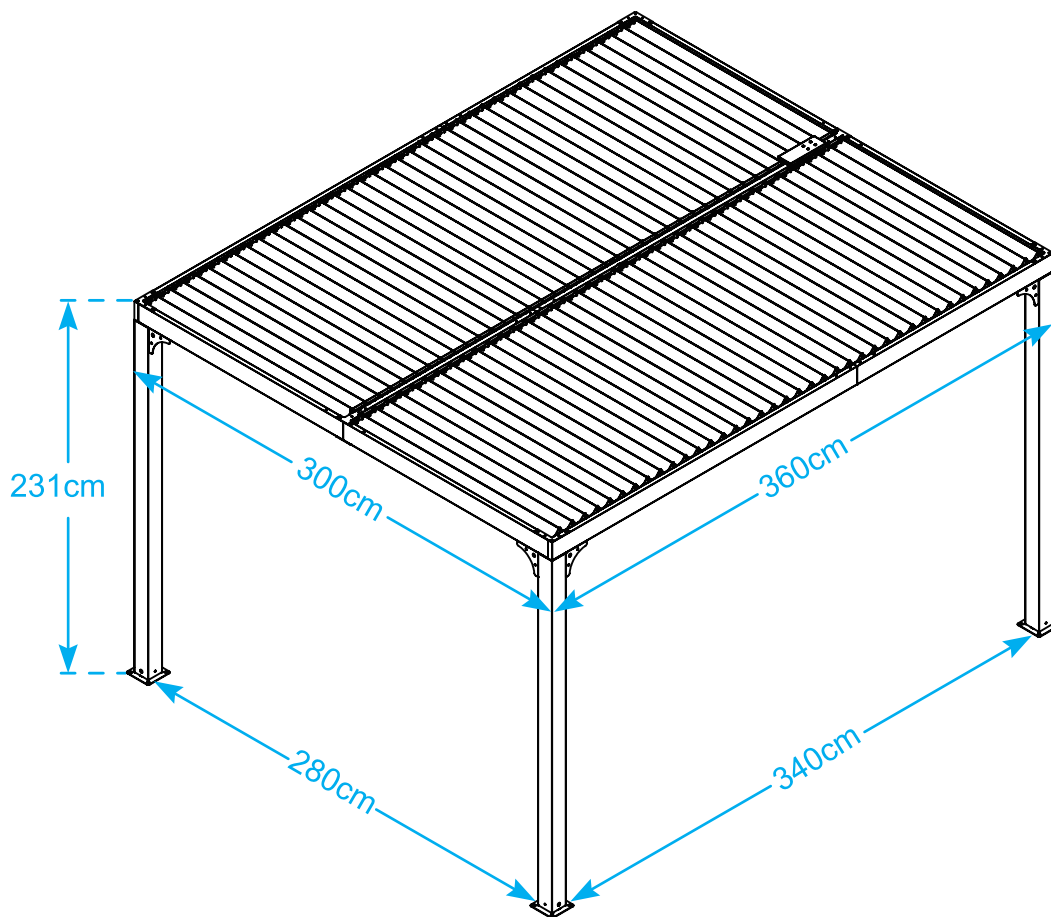




10 x 12' Louver Pergola

Assembly Instructions

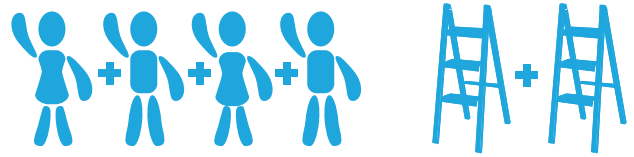


  @paragonoutdoorcompany

Paragon Group USA

Customer Service: (877) 782 4482 Email: cs-outdoors@paragongroupusa.com

Introduction



Thank you for purchasing the 10 x 12' Louver Pergola .
When properly assembled and maintained, this gazebo will provide many years of enjoyment!

These instructions include helpful hints and important information needed to safely assemble and properly maintain the gazebo. Please read these instructions completely before you begin.

Our patented gazebo has been designed for easy assembly. All steps can be completed by a team of four people. The assembly should take about two hours.

Before Starting Assembly:

CAREFULLY READ ALL THE INSTRUCTIONS BEFORE YOU BEGIN AND FOLLOW THE STEPS IN THE ORDER THEY ARE PRESENTED.

- 1. Make sure you have all the necessary parts:**
Compare the contents of all cartons to the List of Parts. If any parts are missing or damaged, or you have any questions, please contact Customer service (877)782 4482 before beginning assembly.
- 2. Lay the parts out in separate staging areas:**
The List of Parts has the corresponding step number referenced to each part. We recommend that while you go through the list, make staging areas for each step and place the parts necessary for each step in these areas. This will save you time and effort during assembly.
- 3. Select a Location:**
When selecting a location for your gazebo, a flat level area is essential and if possible with proper water drainage and easy access to power and water, if necessary.
Choose a sunny, level position away from overhanging trees and power lines and protected from the wind as much as possible. Locate underground pipes or cables before preparing the site or anchoring the gazebo.
Note: You may assemble the gazebo on a hard level surface and move it to its final location when finished. Make sure that there are no obstacles between the assembly area and the final position.
- 4. Prepare a Foundation:**
After choosing a location, proper preparation of the site is recommended. The site must be level. If the site is not level, create a base slightly larger than the outside dimensions of the gazebo using a perimeter of two by fours filled with either soil, sod or gravel.
Make sure the base is square by measuring the diagonals from both directions and making sure they are equal. The gazebo is secured with pegs into holes cast with concrete.
If you decide to have a concrete base, it is best to contact a reliable contractor to make sure it is flat and level. Make sure you have checked with your local authorities regarding any required building permits.
- 5. Make sure you have the proper tools:**
 - Tape Measure
 - Work Gloves
 - Safety goggles
 - Phillips Screwdriver
 - Spirit Level
 - 2 Small Step Ladders
 - Wooden Mallet
 - Scissors and knife
 - Liquid soap or WD40 Lubricant
 - Silicon Gel

NOTE: A cordless drill with Phillips head bit is highly recommended but not essential.

Safety Advice

- The gazebo must be positioned and fixed on a flat level surface.
- Dispose of all plastic bags safely. Keep them out of the reach of children.
- Keep children and pets away from the assembly area until the work is completed.
- Always wear shoes, gloves and safety goggles when working.
- Take special care not to touch overhead power lines with the aluminium profiles.
- Do not attempt to assemble the gazebo in windy or wet conditions.
- Do not position your gazebo in an area exposed to excessive wind.
- If using power tools or a ladder, always follow the manufacturers safety instructions.
- Hot items such as recently used grills, blowtorches etc. must not be stored in the gazebo.
- Make sure the gazebo complies with local building codes.



ATTENTION:

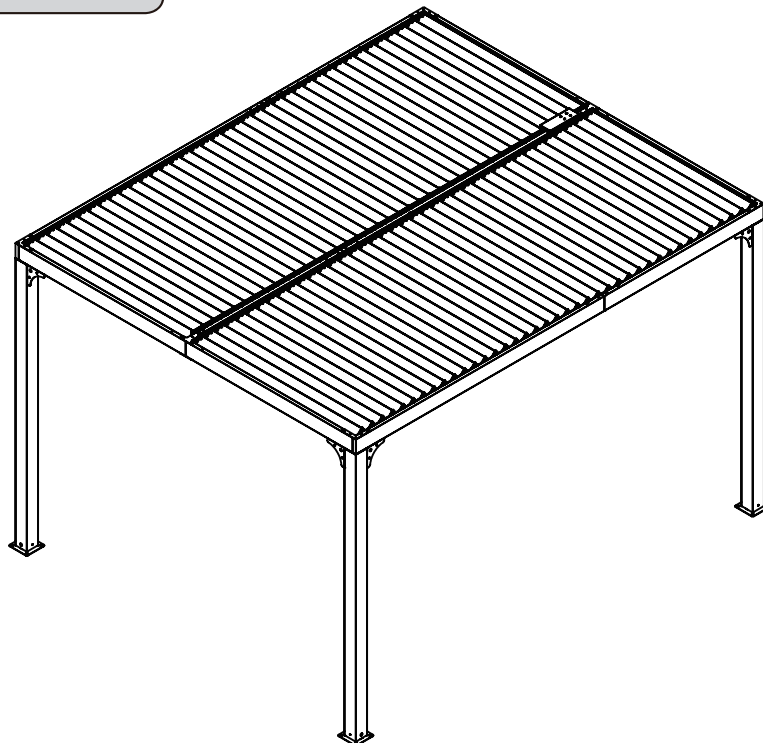
DO NOT ATTEMPT TO ASSEMBLE THE PERGOLA ALONE!

Table of Contents

Introduction	2
Table of Contents.....	3
List of Parts.....	4
Step 1 : Assembling the Louvers	7
Step 2 : Connecting the Roof Profiles	8
Step 3 : Building the Basic Roof Frame.....	11
Step 4 : Building the Louver Control System...	13
Step 5 : Building the Corner Profiles.....	17
Step 6 : Installing the Louvers	19
Step 7 : Securing the Gazebo to a Concrete Floor or Wood Deck....	25

General Order of Assembly

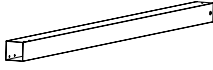




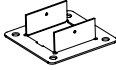

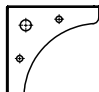

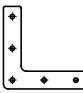

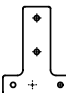

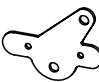

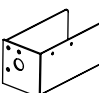
- Step 1** : Assembling the Louvers
- Step 2** : Connecting the Roof Profiles
- Step 3** : Building the Basic Roof Frame
- Step 4** : Building the Louver Control System
- Step 5** : Building the Corner Profiles
- Step 6** : Installing the Louvers
- Step 7** : Securing the Gazebo to a Concrete Floor or Wood Deck

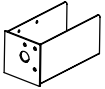

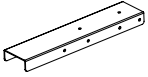

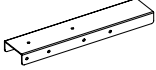

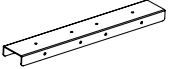


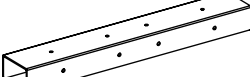
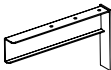
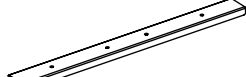
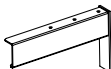
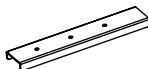
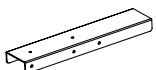



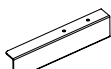
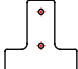

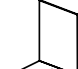


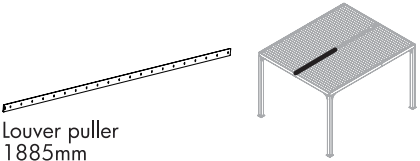
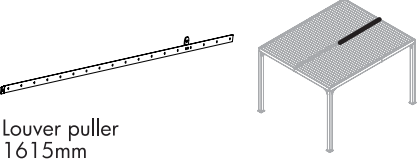
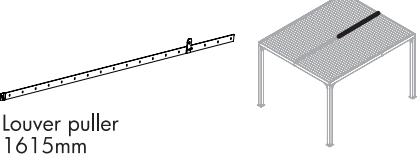

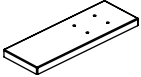
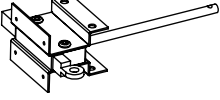


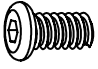

List of Parts

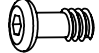







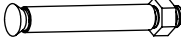
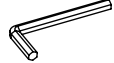



The pergola is shipped in five cartons. These cartons are heavy. Be careful when lifting them. Wear proper safety gear including work shoes, gloves and goggles. The parts are identified by removable stickers. Place all the parts for each step in staging areas, checking that you have all parts as you go. If any parts are missing or damaged, contact customer service before beginning assembly:
Customer Service: (877) 782 4482 Email:cs-outdoors@paragongroupusa.com

No.	Part	Qty	Step	No.	Part	Qty	Step
1	 Corner Profile 2190mm	4	5	9	 Roof Profile 1404mm	1	2
2	 Roof Profile 2190mm	1	2	10	 Louver 1420mm	78	1
3	 Roof Profile 1354mm	1	2	11	 Support Plate	4	5
4	 Roof Profile 1472mm	2	2	12	 Support Plate	8	5
5	 Roof Profile 1472mm	2	2	13	 Roof Profile connector	4	3,4
6	 Roof Profile 2190mm	1	2	14	 Roof Profile connector	2	3,4
7	 Roof Profile 1404mm	1	2	15	 Louver connector	156	1
8	 Roof Profile 2190mm	1	2	16	 Corner profile cover	2	2

No.	Part	Qty	Step	No.	Part	Qty	Step
17	 Corner profile cover	2	2	28	 Louver mount 2019mm	2	4
18	 Roof Profile connector	2	2	29	 Louver mount 1575mm	2	4
19	 Roof Profile connector	2	2	30	 Louver mount 1994mm	2	4
20	 Roof Profile connector	4	4	31	 Louver mount 1550mm	2	4
21	 Roof Profile connector	4	4	32	 Roof Profile connector	1	2
22	 Roof Profile connector	2	3,4	33	 Roof Profile connector	1	2
23	 Roof Profile connector	2	3,4	34	 Roof Profile connector	2	2
24	 Roof Profile connector	2	2	35	 Roof Profile connector	1	2
25	 Roof Profile connector	2	2	36	 Roof Profile connector	1	2
26	 Roof Profile connector	2	2	37	 Roof Profile connector	2	3,4
27	 Roof Profile connector	2	2	38	 Stopper	1	4

No.	Part	Qty	Step
39	Louver puller 1885mm 	2	6
40	Louver puller 1615mm 	1	6
41	Louver puller 1615mm 	1	6
42	Puller connector 	2	6
44	Controller cover 	1	6
45	Controller 	1	4
46	Ring cap 	1	4
47	Screw M4x10mm 	318	1,4 6
48	Screw 1/4"12mm 	24	2,6
49	Screw 1/4"15mm 	142	2,3 4,5

No.	Part	Qty	Step
50	Screw 1/4"13mm 	78	6
51	Screw 1/4"25mm 	156	4
52	Screw 1/4"x70mm 	1	6
53	Nut 1/4" 	164	4,6
54	Nut 1/4" 	159	6
56	Washer 	78	6
57	Screw M4x20mm 	1	4
58	Rocker 	1	6
59		16	7
60		1	
61	Screw 1/4"x50mm 	2	4

We included some extra screws and bolts for your convenience.

STEP 1 Assembling the Louvers



Place all the parts on a level surface.
Make sure the pieces are in the correct positions before assembling.
Carefully follow the order of assembly to ensure an easy installation.
Wear proper safety gear including work shoes, gloves and goggles.

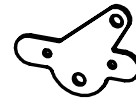
1.A

Attach louver connector (15) on louver (10) by screw (47).

Components



Louver(10)
x 78

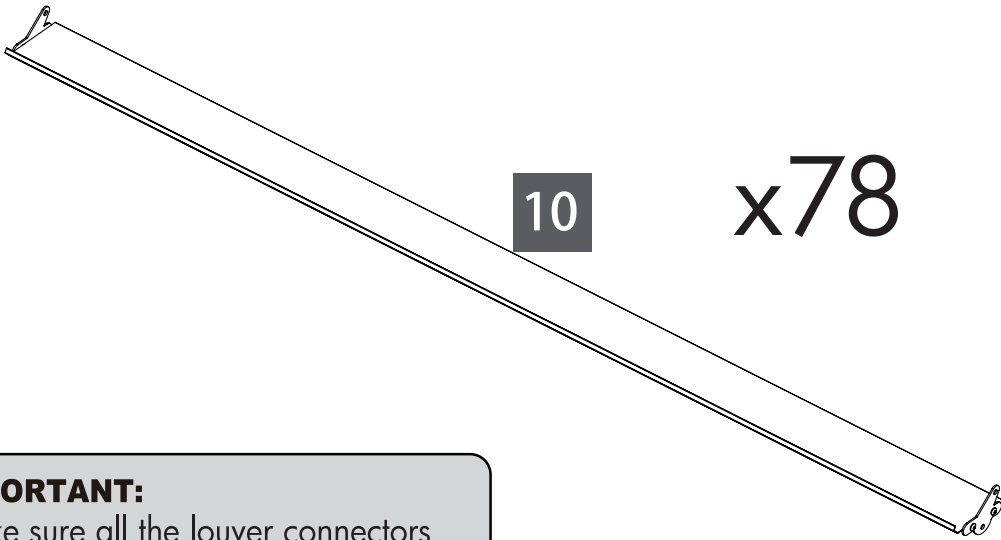


Louver connector(15)
x 156



Screw(47)
x 312

15



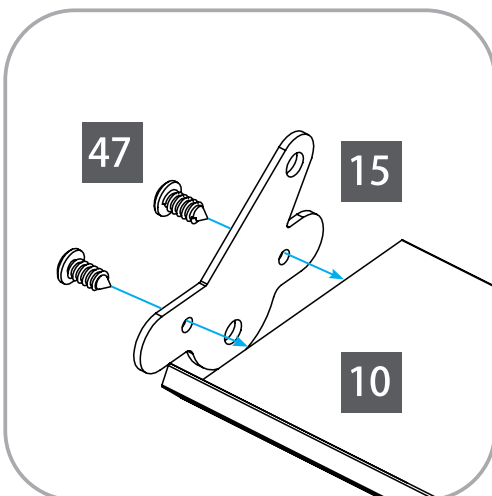
15



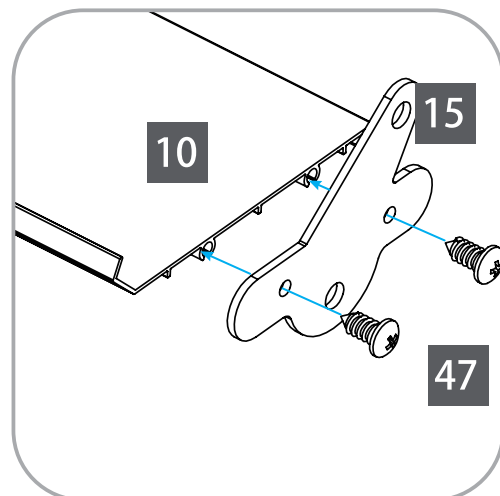
IMPORTANT:

Make sure all the louver connectors installed in correct direction as shown.

1.B



1.C



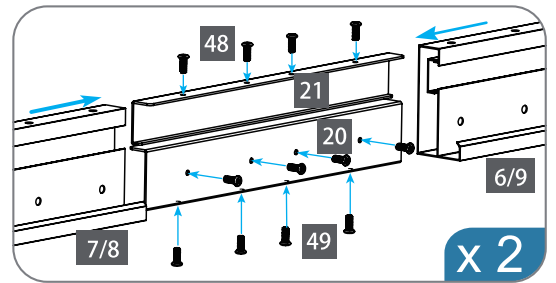
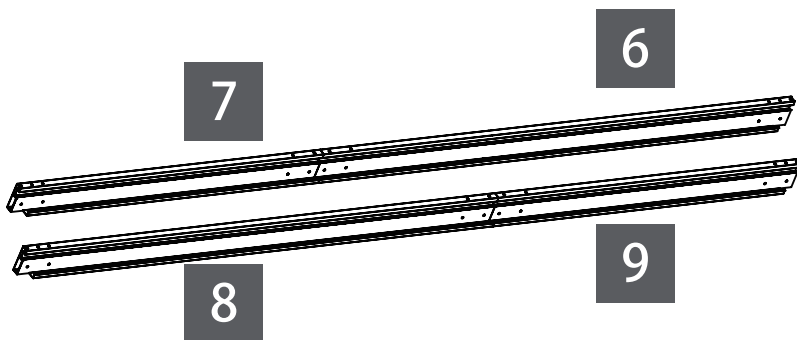
STEP 2 Connecting the Roof Profiles

Components

Roof Profile(2) x 1	Roof Profile(3) x 1	Roof Profile(4) x 2	Roof Profile(5) x 2	Roof Profile(6) x 1	Roof Profile(7) x 1	Roof Profile(8) x 1	Roof Profile(9) x 1	
Corner profile cover(16) x 2	Corner profile cover(17) x 2	Roof Profile connector(18) x 2	Roof Profile connector(19) x 2	Roof Profile connector(20) x 4	Roof Profile connector(21) x 4	Roof Profile connector(24) x 1	Roof Profile connector(25) x 1	Roof Profile connector(26) x 1
Roof Profile connector(27) x 1	Roof Profile connector(32) x 1	Roof Profile connector(33) x 1	Roof Profile connector(34) x 2	Roof Profile connector(35) x 1	Roof Profile connector(36) x 1	Screw(48) x 20	Screw(49) x 62	

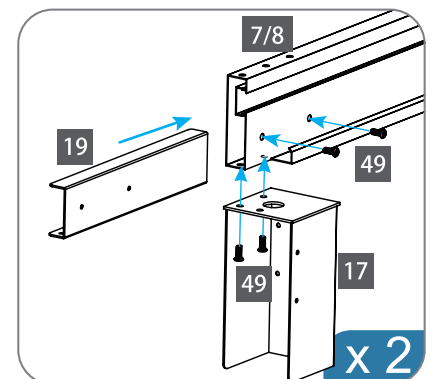
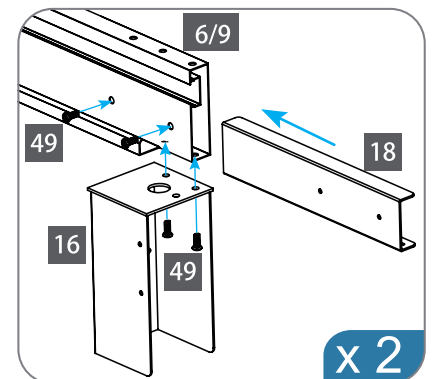
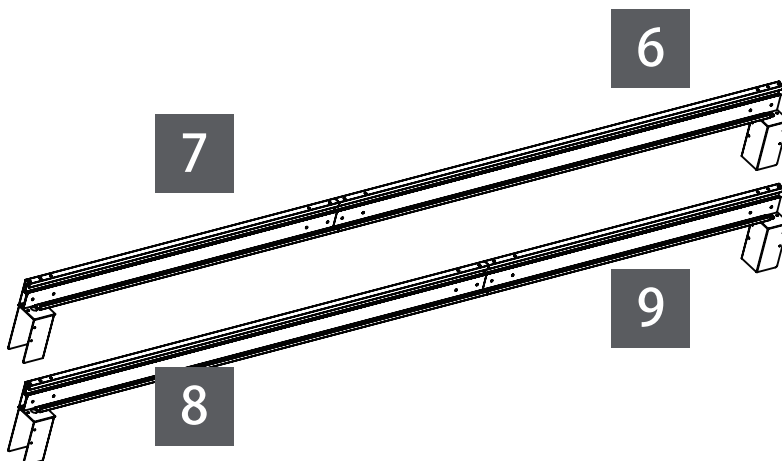
2.A

Connect roof profile (6,7) and (8,9) by roof profile connector (21,20) with screw (48) on the TOP and screw (49) on the SIDE and BOTTOM as shown.



2.B

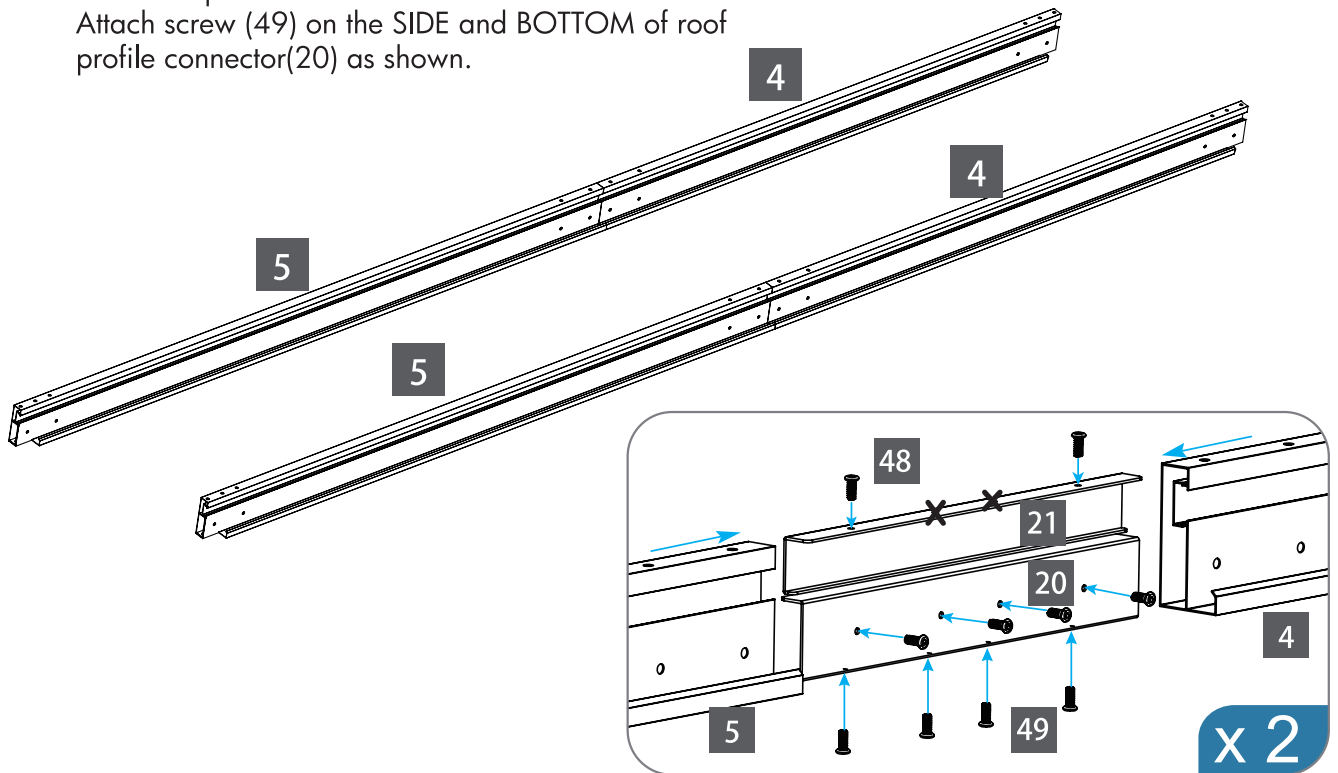
Insert roof profile connector (18,19) into roof profile (6/9) and (7/8), fasten with two screw (49) each as shown. Attach corner profile cover (16/17) on roof profile (6/9) and (7/8) by screw (49) underneath of corner profile cover (16/17).



2.C

Connect roof profile (4,5) by roof profile connector (21,20) with TWO screw (48) on the top of roof profile connector(21), Exactly as shown, we need the 2 empty holes for installing roof profile connector(14) in later step.

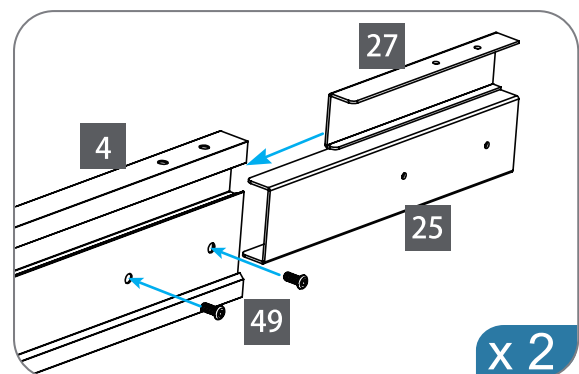
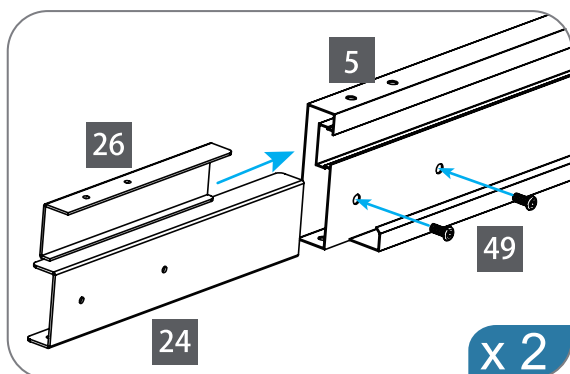
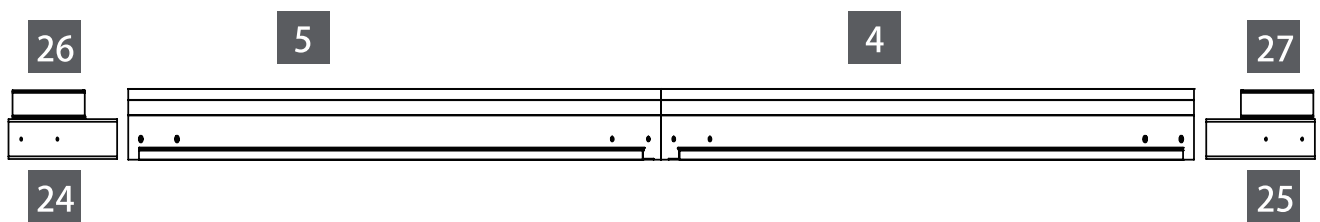
Attach screw (49) on the SIDE and BOTTOM of roof profile connector(20) as shown.



2.D

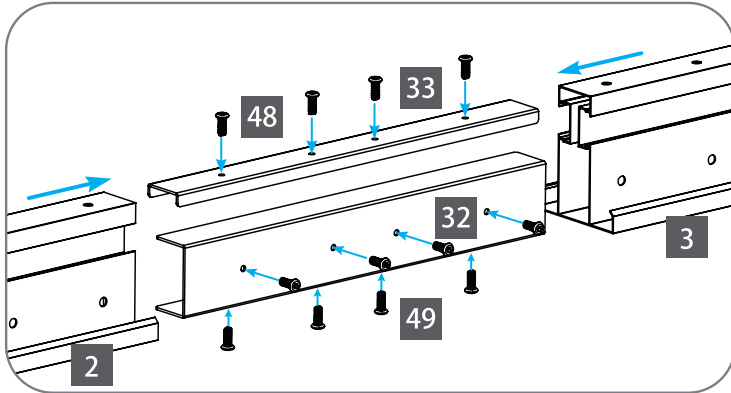
Insert roof profile connector (24/25) into hollow ends of roof profile (5,4) with two predrilled holes facing inside as shown, and fasten with screw (49).

Insert roof profile connector (26/27) into hollow ends of roof profile (5,4) with two predrilled holes facing upward at the same position of roof profile (5,4) pre-drilled holes as shown for later step.



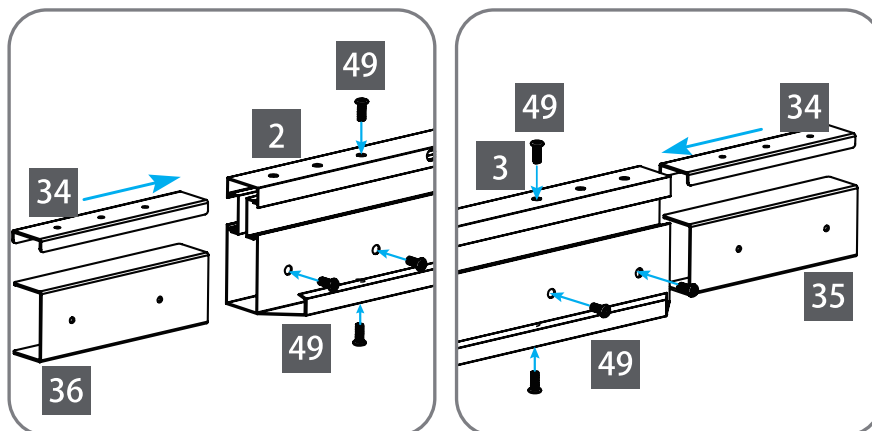
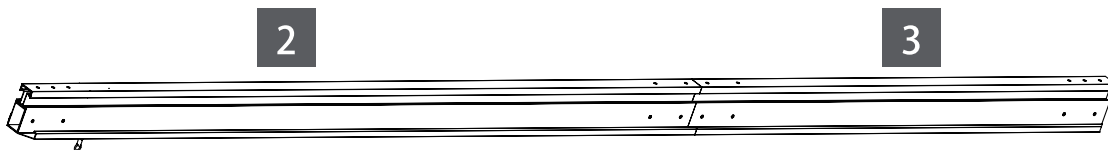
2.E

Connect roof profile (2,3) by roof profile connector (33,32) with screw (48) on the TOP and screw (49) on the SIDE and BOTTOM as shown.



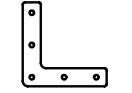
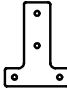
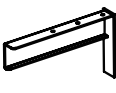
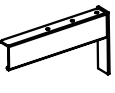
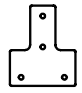
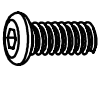
2.F

Insert roof profile connector (36/35) into hollow ends of roof profile (2,3) and fasten with two screw (49) on the side and ONE screw (49) at the furthest position of the three pre-drilled holes as shown. Insert roof profile connector (34) into hollow ends of roof profile (3,2) and fasten with ONE screw (49) at the furthest position of the three pre-drilled holes as shown.



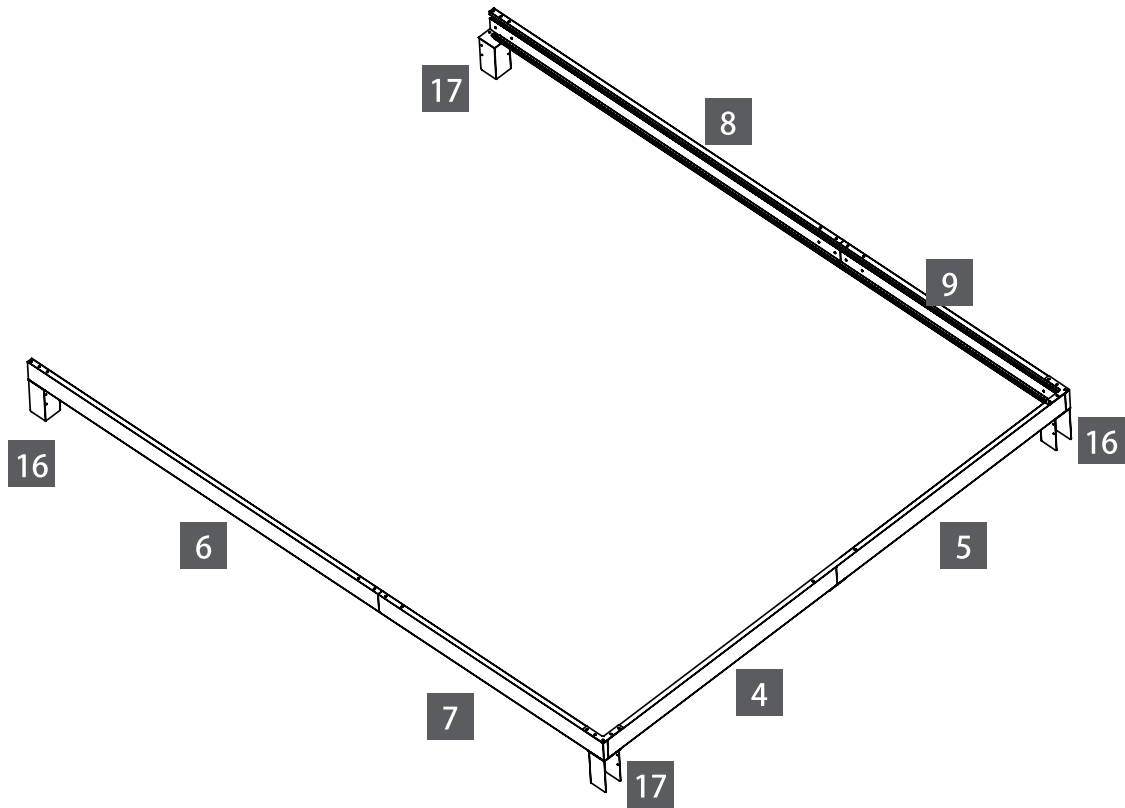
STEP 3 Building the Basic Roof Frame

Components

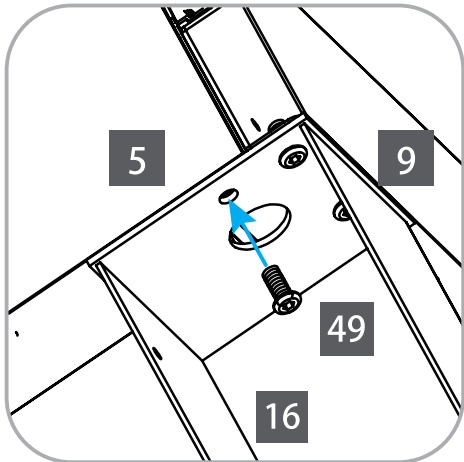
					
Roof Profile connector(13) x 2	Roof Profile connector(14) x 1	Roof Profile connector(22) x 1	Roof Profile connector(23) x 1	Roof Profile connector(37) x 1	Screw(49) x 20

3.A

Place roof profile set (4+5,6+7,8+9) as in U format as shown. Connect roof profile set (4+5) to roof profile set (6+7,8+9) by fasten screw (49) from underneath of corner profile cover (17,16) to roof profile (4+5) as shown.



VIEWS FROM BELOW



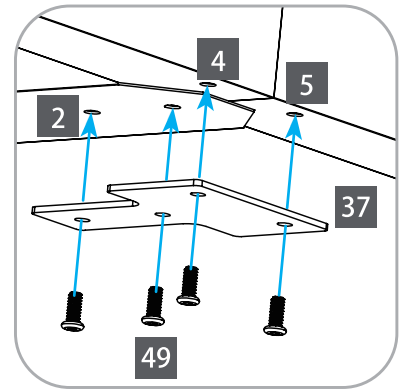
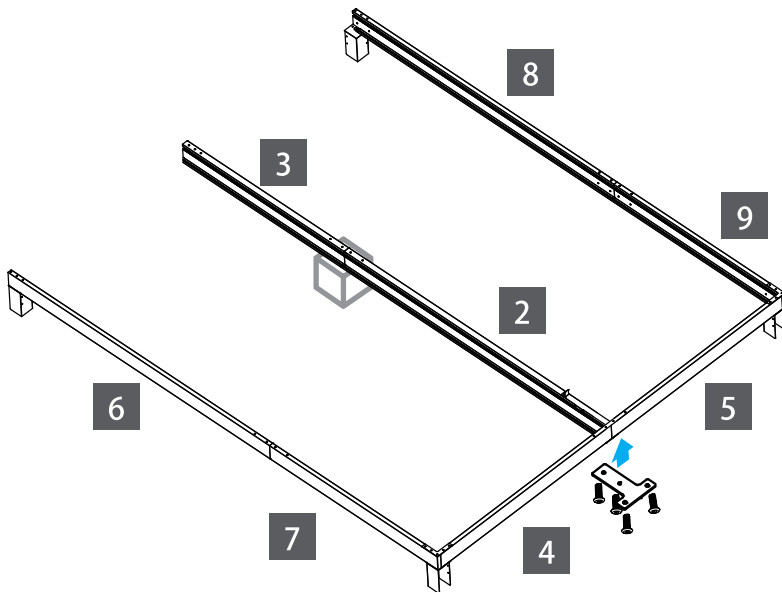
VIEWS FROM BELOW

3.B

Connect roof profile set (2+3) on middle of roof profile set (4+5) by attaching roof profile connector (37) from underneath of roof profile set (4+5) by screw (49).



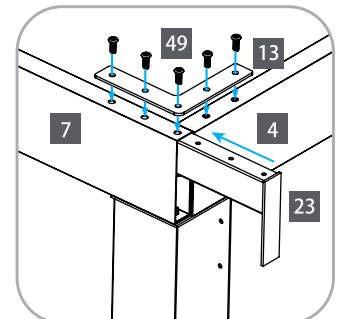
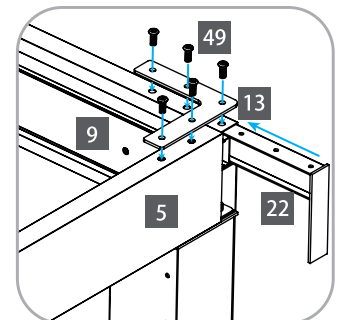
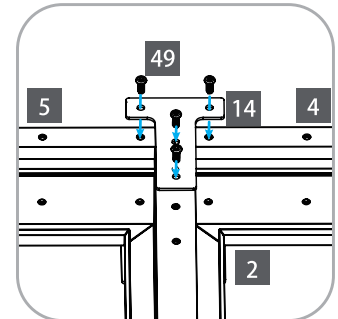
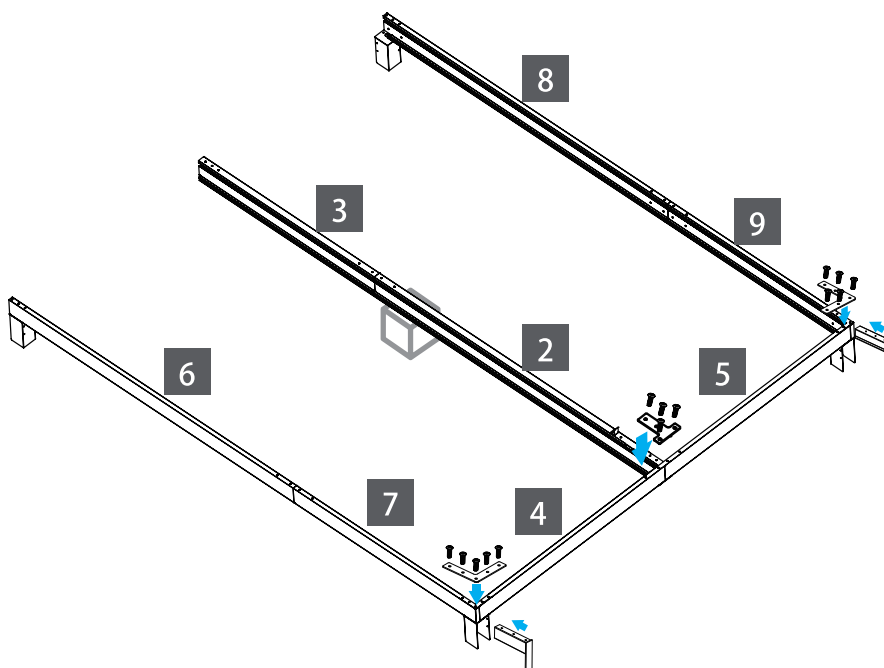
TIP: Place roof profile set (2+3) on smooth surface article to have the same level with roof profile set (4+5) for easy installation.



VIEWS FROM BELOW

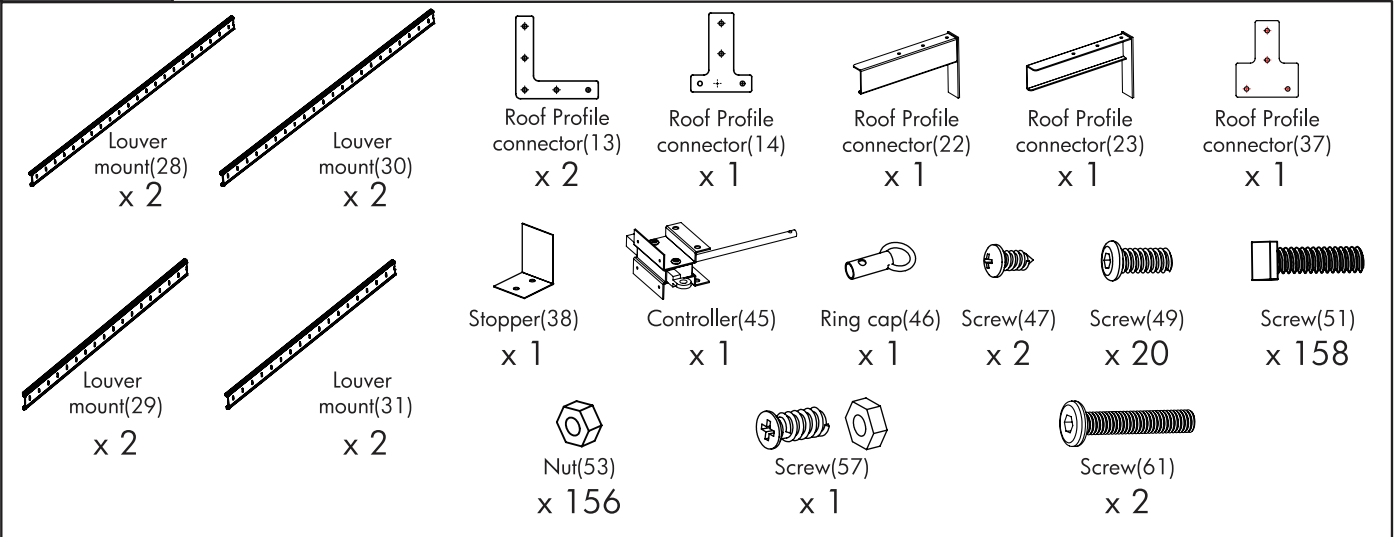
3.C

Attach roof profile connector (14) to the end of roof profile (2,4,5), fasten with screw (49).
Insert roof profile connector (23,22) into roof profile (7,9), attach roof profile connector (13) to the end of roof profile (7,4) and (9,5) by screw (49) as shown.



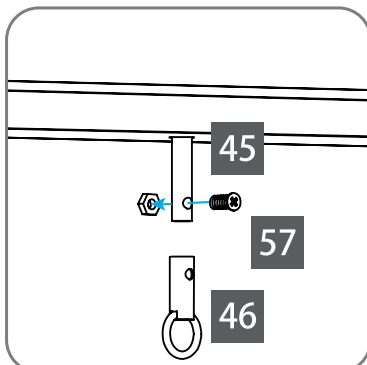
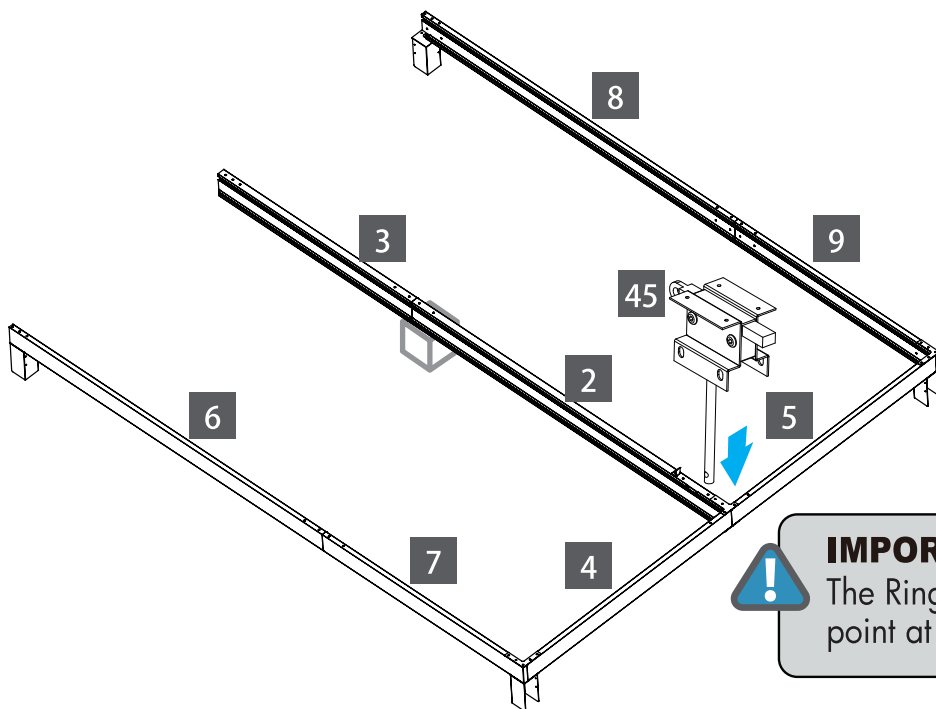
STEP 4 Building the Louver Control System

Components

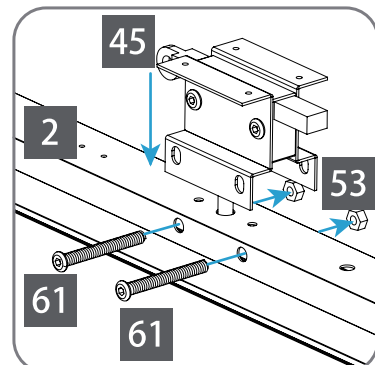
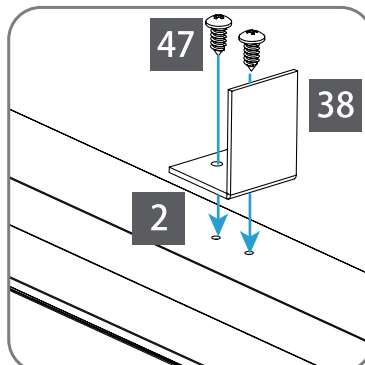


4.A

Insert controller (45) into roof profile (2), fasten with screw (61) and nut (53) to the side of controller (45) as shown.
 Attach ring cap (46) to controller (45) from underneath of roof profile (2) by screw (57) as shown.
 Attach stopper (38) on roof profile (2) by fasten screw (47).



VIEWS FROM BELOW



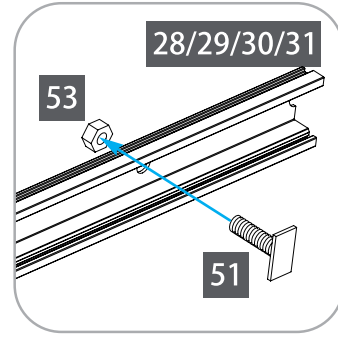
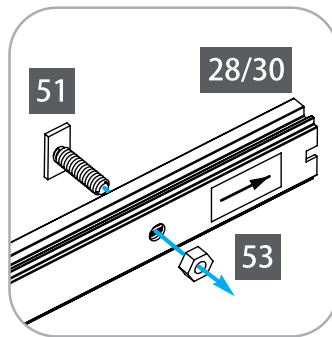
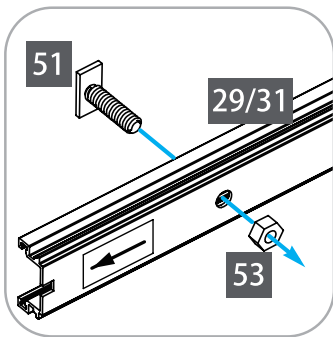
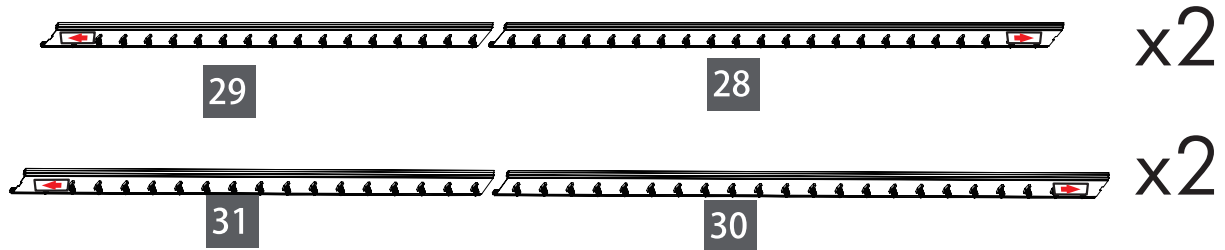
4.B

Attach screw (51) on louver mount (28,29,30,31) with nut (53) as shown.



IMPORTANT:

Screw (51) head must be vertically installed on louver mount (28,29,30,31).



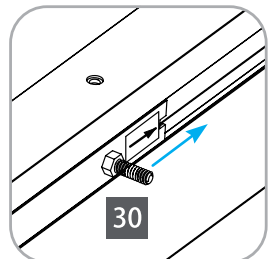
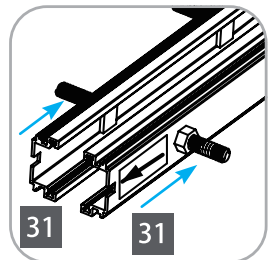
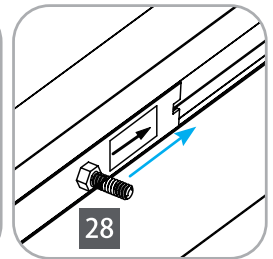
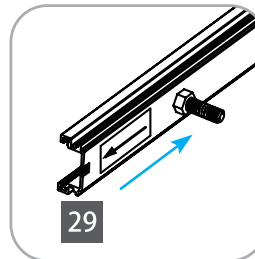
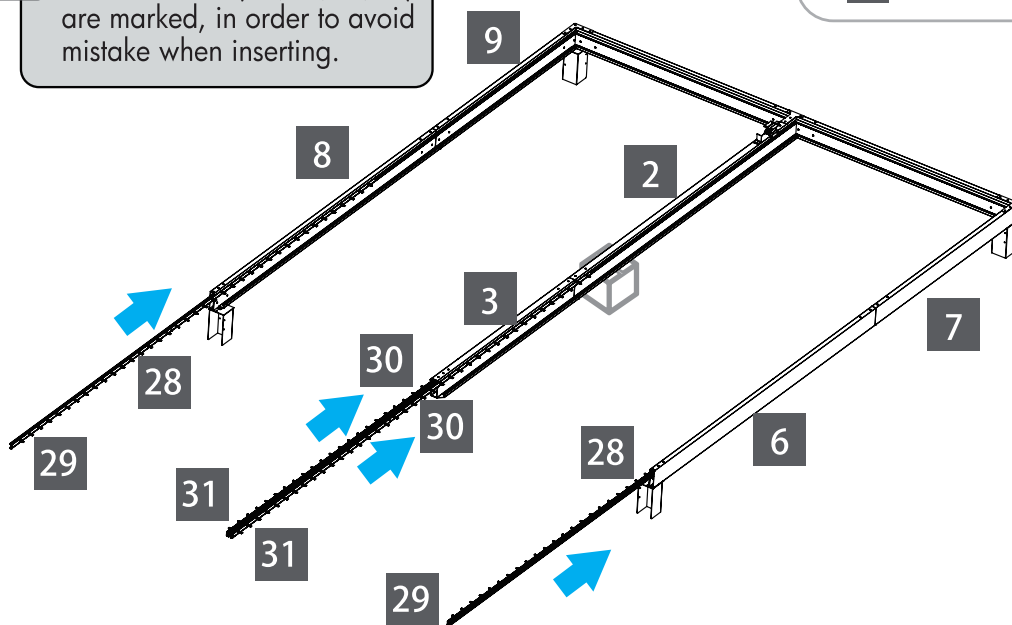
4.C

Insert louver mount (28,29) into roof profile (9/7,8/6) with marked arrow point outward as shown.
Insert louver mount (30,31) into roof profile (2,3) with marked arrow point outward as shown.



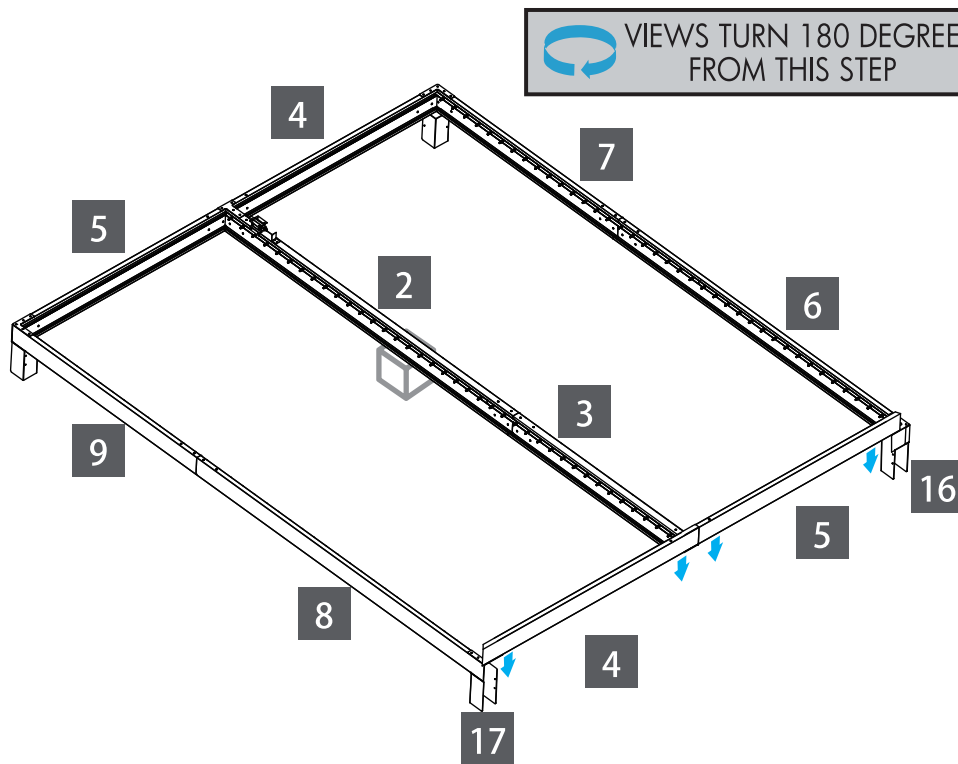
ATTENTION:

Louver mounts (28,29,30,31) are marked, in order to avoid mistake when inserting.

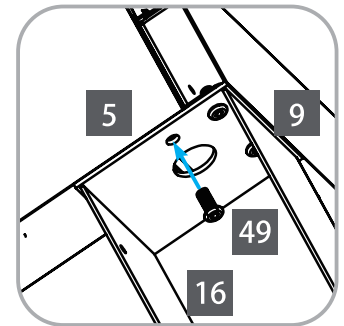


4.D

Connect roof profile set (4+5) to roof profile set (6+7,8+9,2+3) by fasten screw (49) from underneath of corner profile cover (17,16) to roof profile (4+5) as shown.



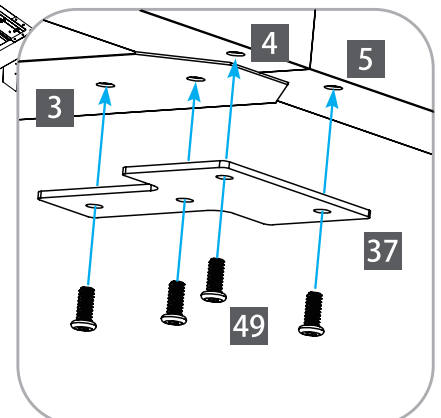
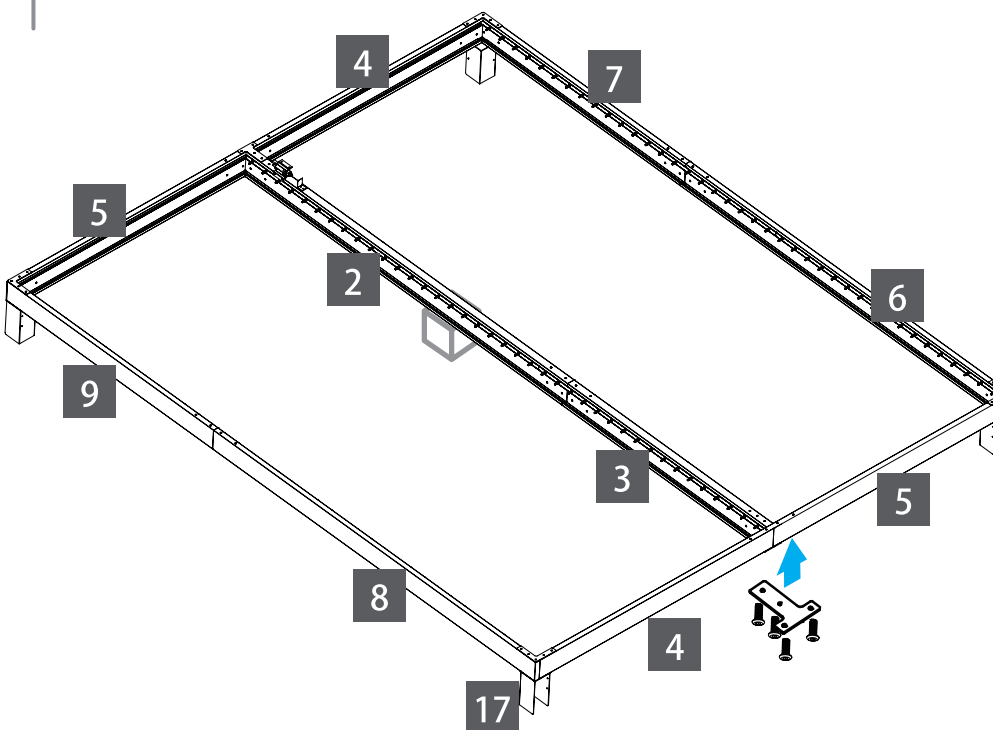
VIEWS FROM BELOW



VIEWS FROM BELOW

4.E

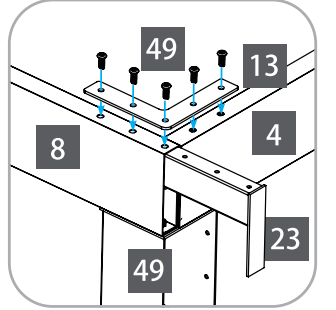
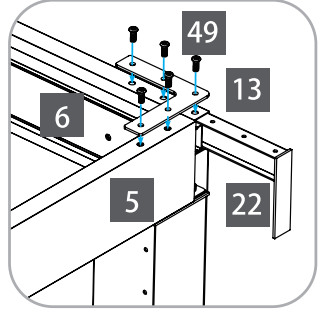
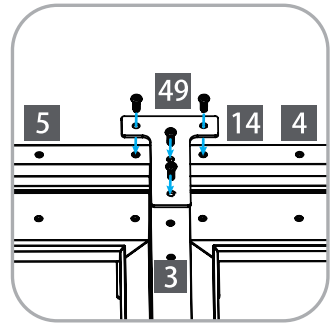
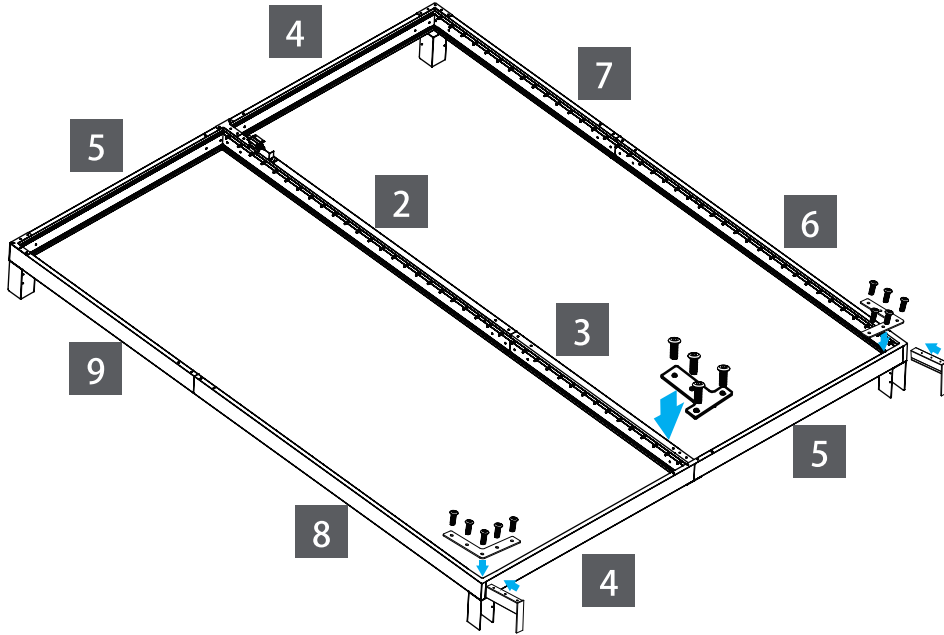
Connect roof profile set (2+3) on middle of roof profile set (4+5) by attaching roof profile connector (37) from underneath of roof profile set (4+5) by screw (49) as shown.



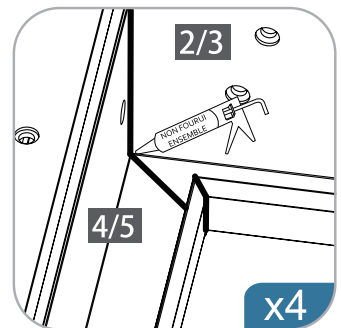
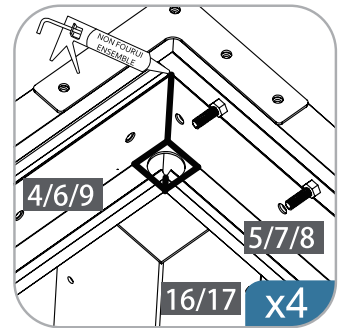
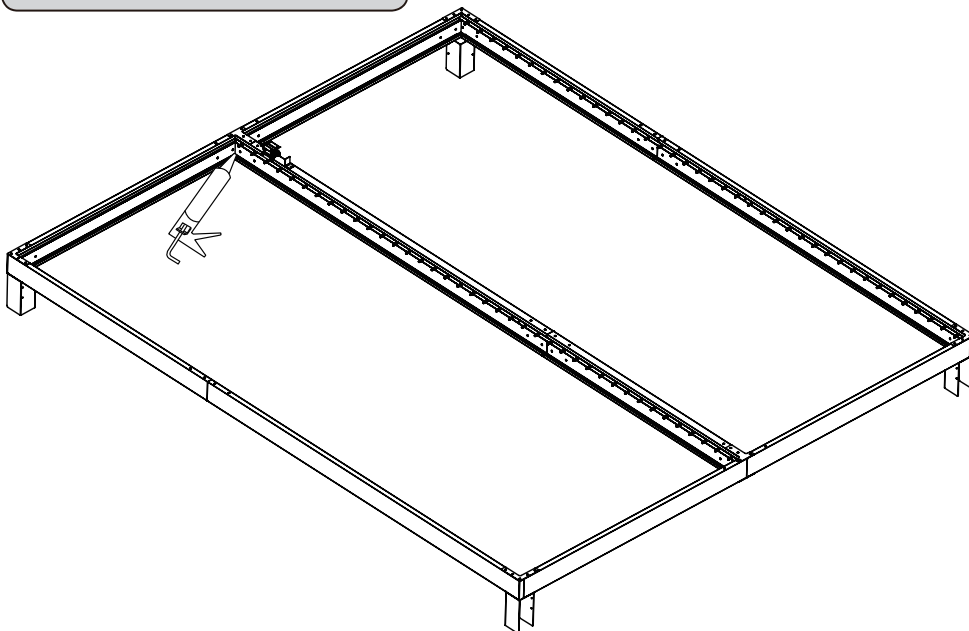
4.F

Attach roof profile connector (14) to the end of roof profile (2,4,5), fasten with screw (49).

Insert roof profile connector (23,22) into roof profile (7,9), attach roof profile connector (13) to the end of roof profile (7,4) and (9,5) by screw (49) as shown.



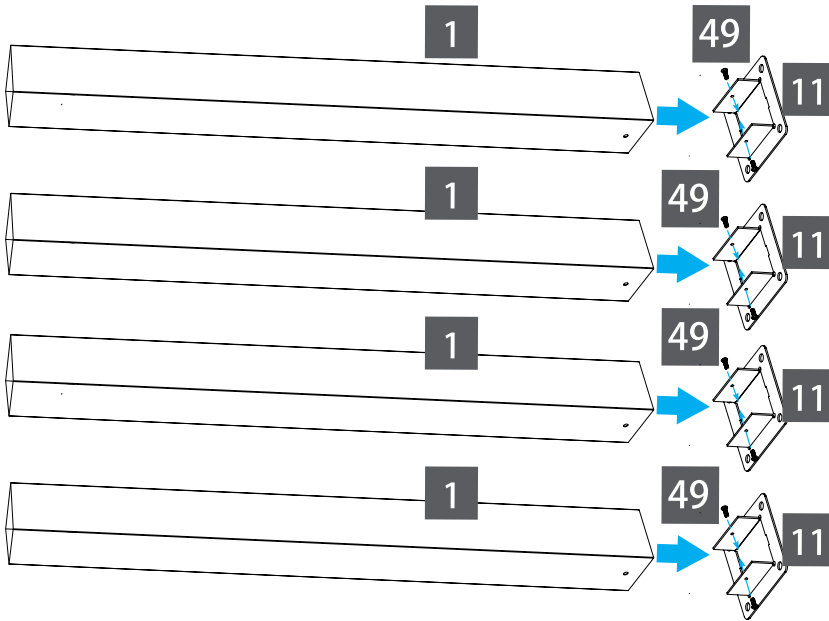
Using silicon to seal all the gaps on the gutter inside roof profiles.



STEP 5 Building the Corner Profiles

5.A

Align pre-drilled screw holes in corner profiles (1) with screw holes in support plate (8). Attach support plate (11) to corner profiles (1) as shown, using two screws (49) for each plate.



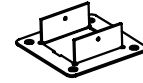
Components



Corner Profile(1)
x 4



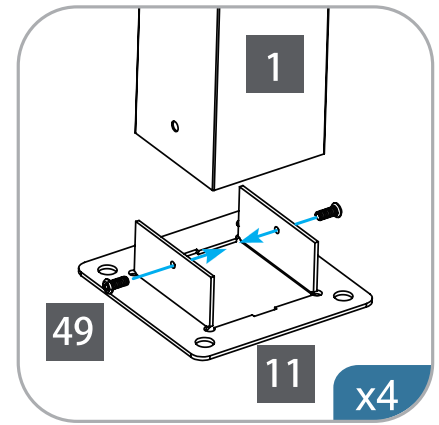
Support Plate(12)
x 8



Support Plate(11)
x 4

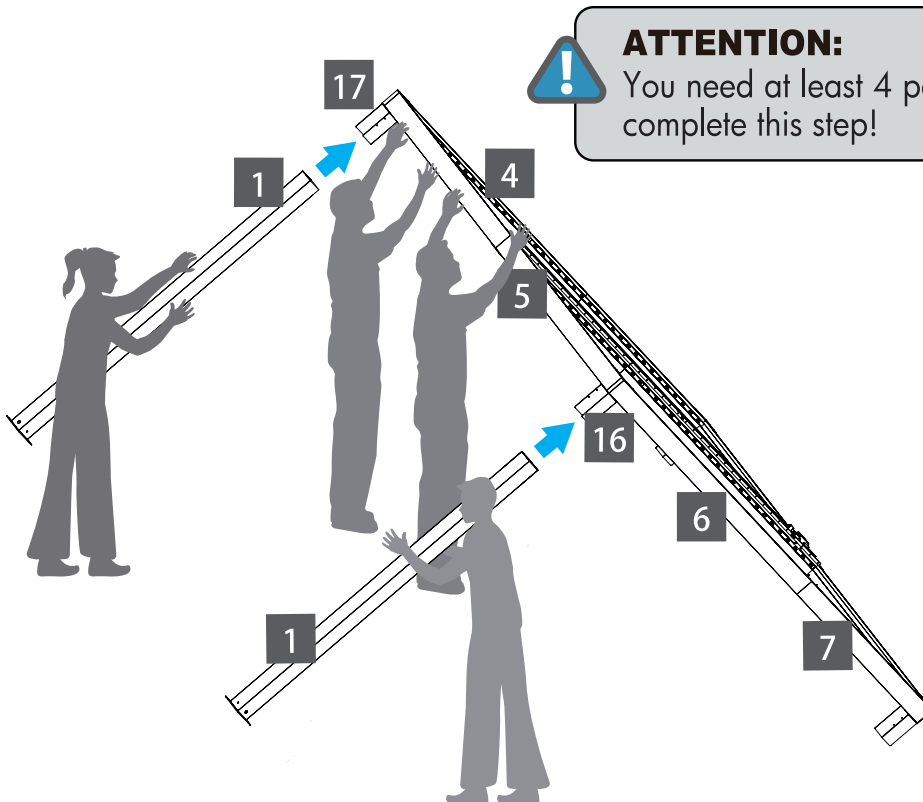


Screw(49)
x 40

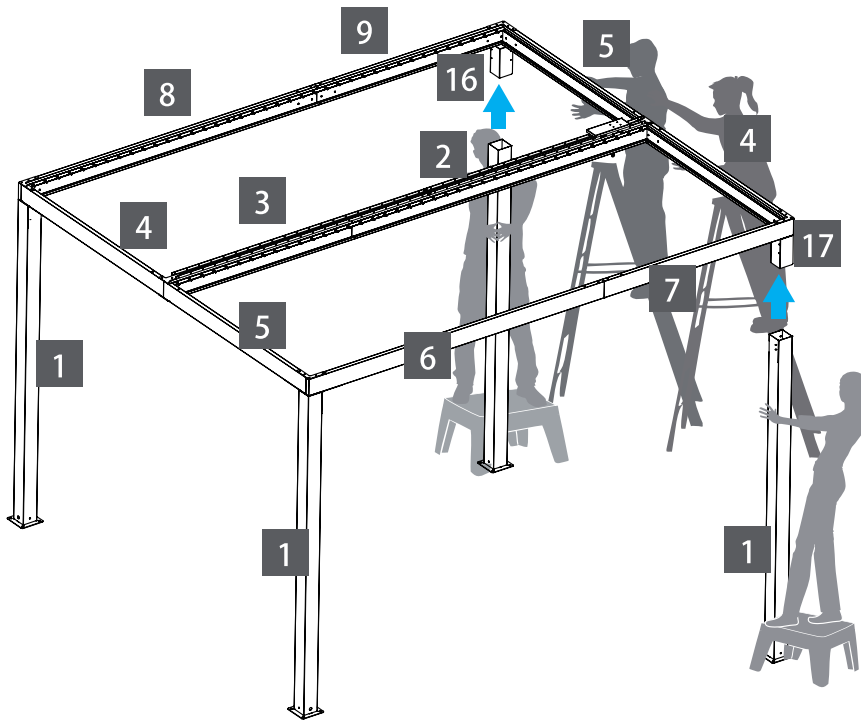


5.B

Using at least 2 people, lift roof frame. Align pre-drilled screw holes on the top of corner profiles (1) with screw holes on corner profile covers (16,17). Insert another two corner profiles (1) as shown, by 2 people.

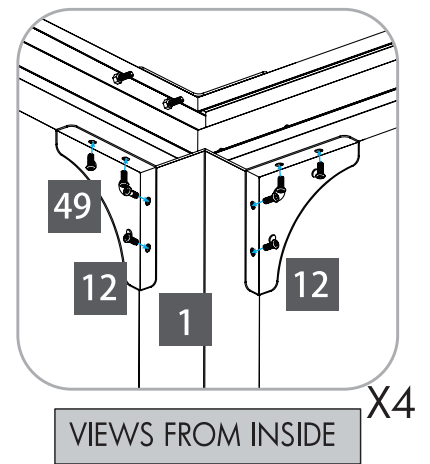
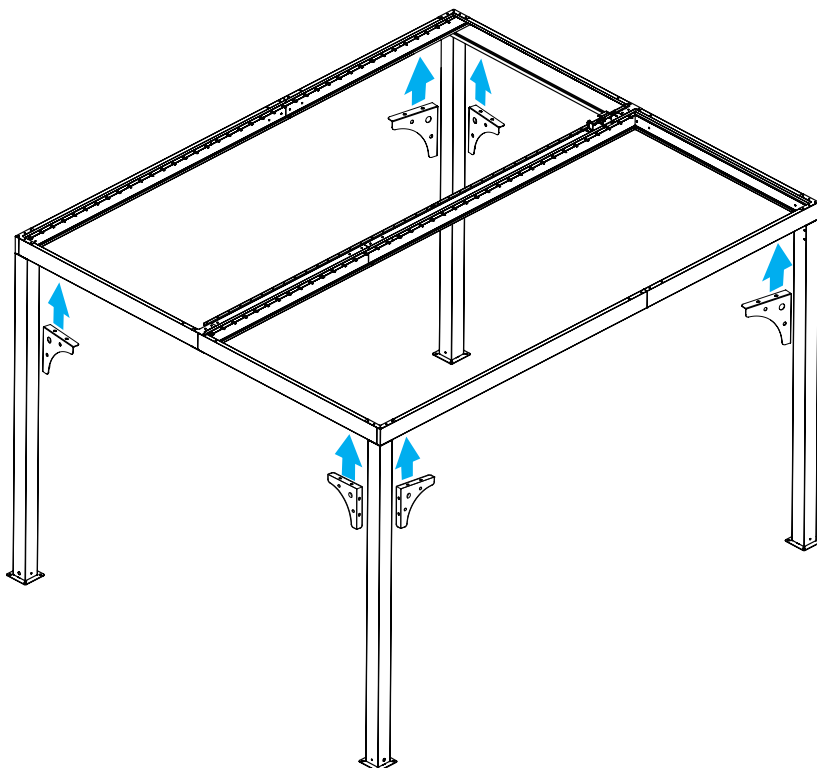


ATTENTION:
You need at least 4 people to complete this step!



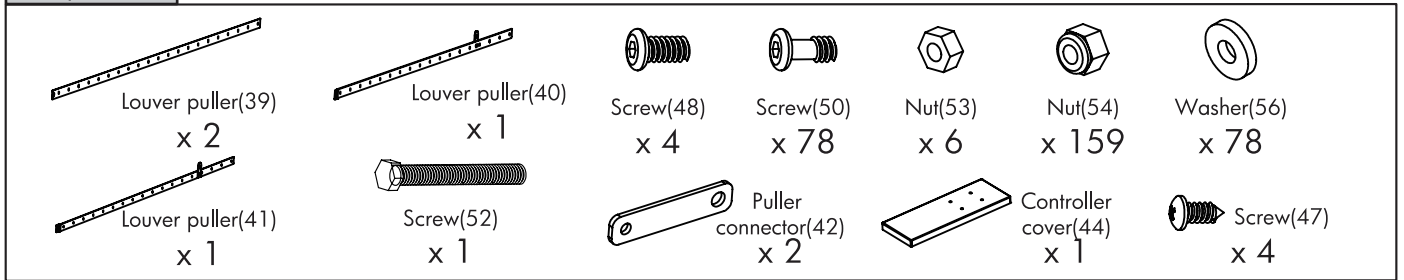
5.C

Attach support plates (12) to the bottom side of roof frame, using four screws (49) each as shown.



STEP 6 Installing the Louvers

Components



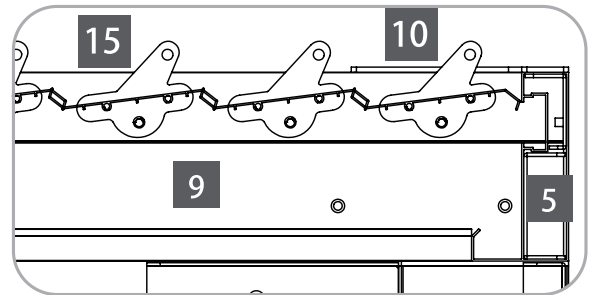
6.A

Place 5 piece louvers (10) into pre-installed screw (51) beside roof profile (5), fasten with nut (54) on both side of louver (10) as shown.



IMPORTANT:

Make sure ALL Louvers (10) installed at the same direction as shown. Insert one side of the louvers (10) into screw (51) with a slop, then place another end.

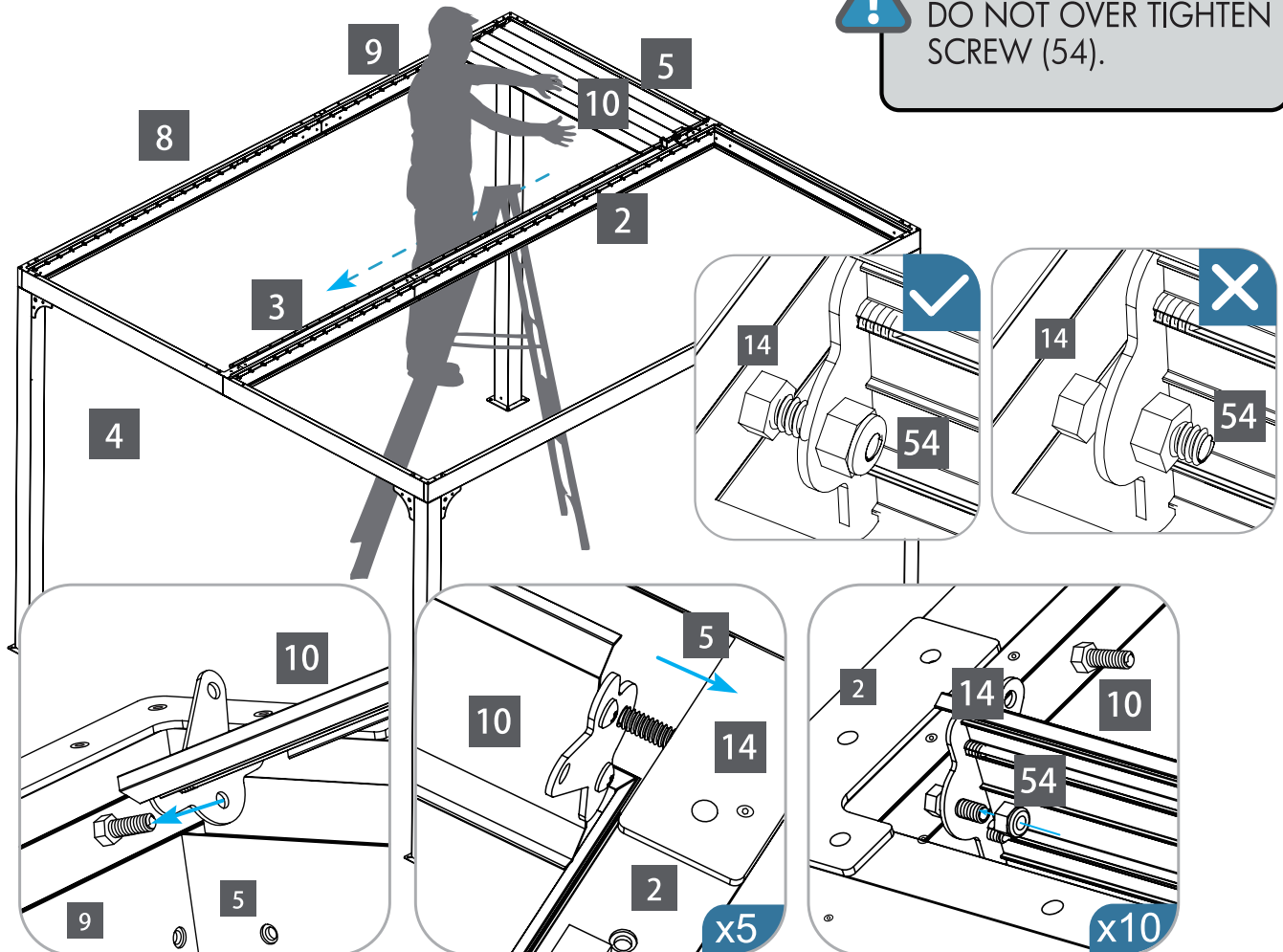


PERSPECTIVE VIEW



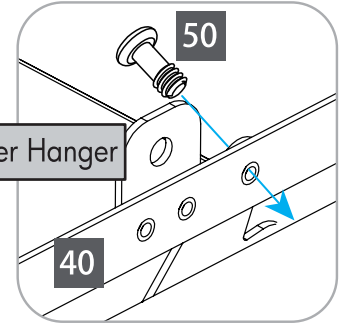
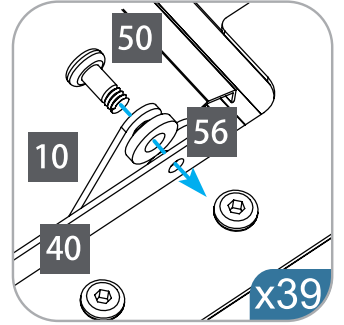
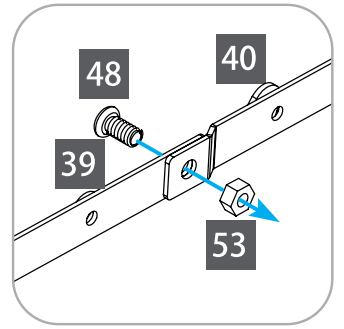
ATTENTION:

DO NOT OVER TIGHTEN SCREW (54).



6.B

Connect louver pullers (39,40) by screw (48) and nut (53) as shown. Place plastic washer (56) between louver puller sets (39+40) and louver connectors (15), fasten with screw (50) as shown. Repeat to assemble louvers (10) on the roof profile frame and connect with louver puller set (39+40), FIVE pieces louvers (10) at a time. Repeat to finish left side Louvers.

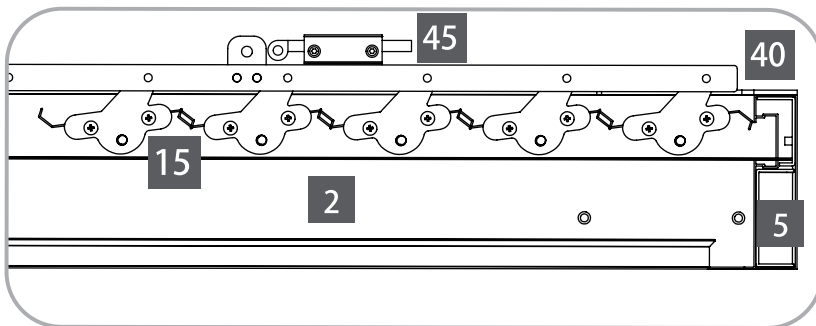
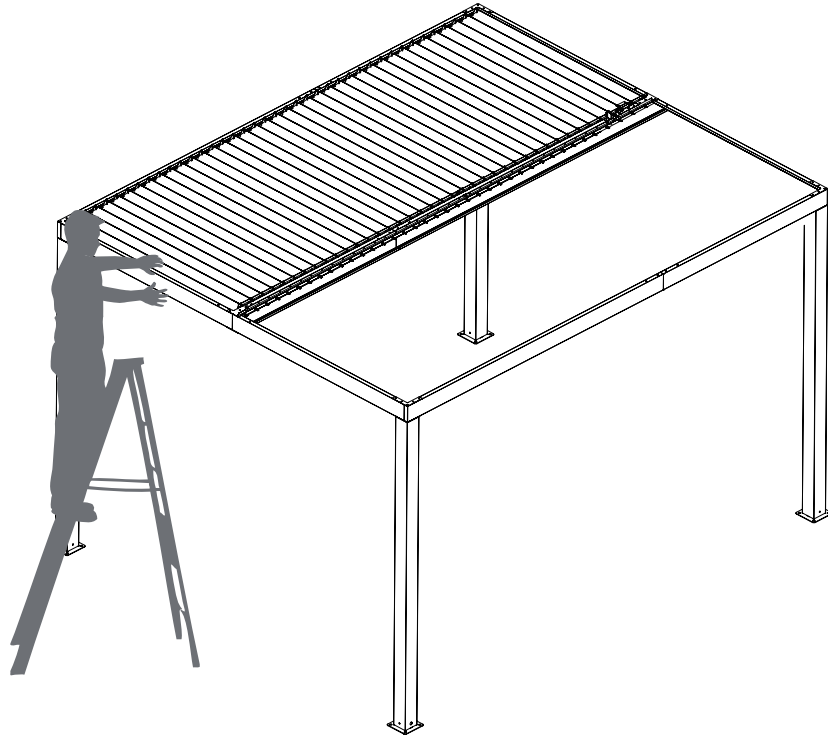


IMPORTANT:

Louver puller (40) hanger must be installed at the same side of louver connectors (15).

ATTENTION:

Screw (50) must be fastened toward Middle roof profile (2+3).



PERSPECTIVE VIEW

IMPORTANT:

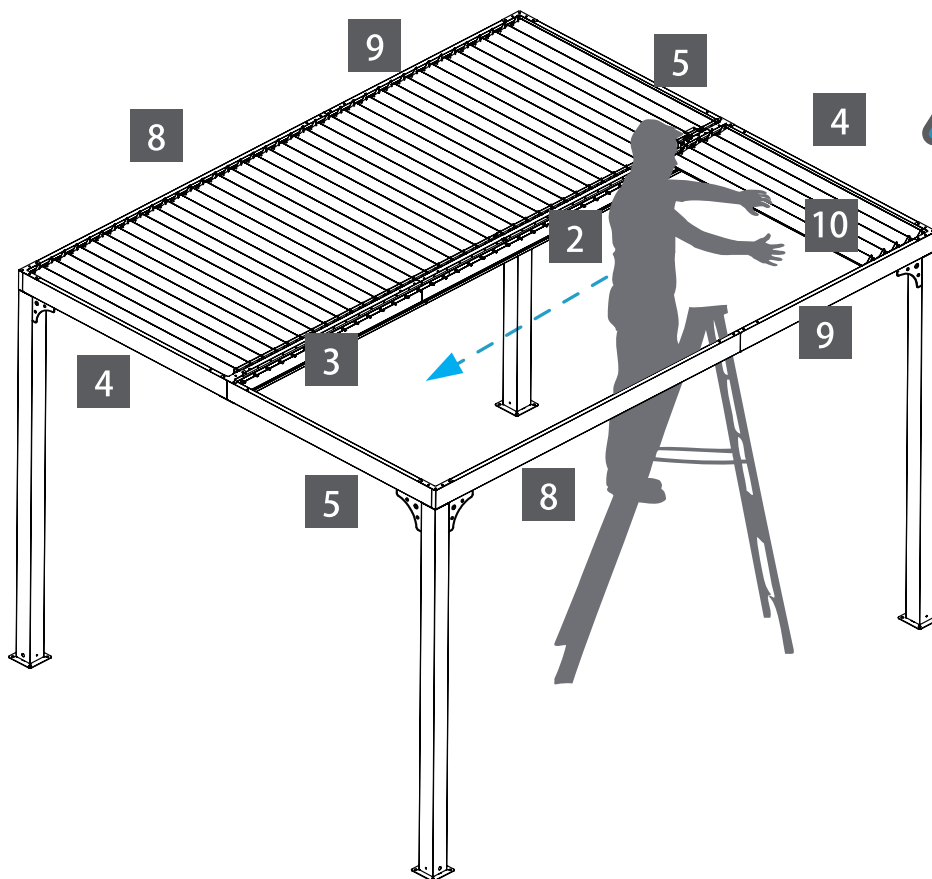
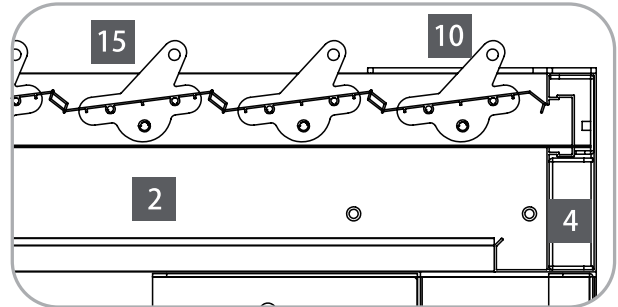
The Hanger of louver puller (40) must be installed at the same side of Controller (15).

6.C

Place 5 piece louvers (10) into pre-installed screw (51) beside roof profile (4), fasten with nut (54) on both of louver (10) as shown.

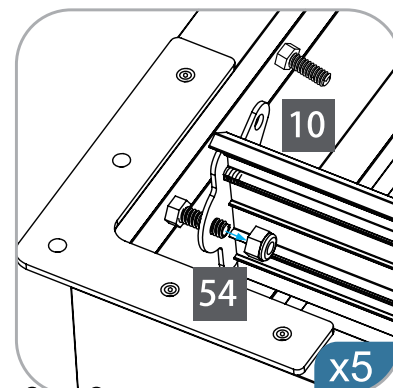
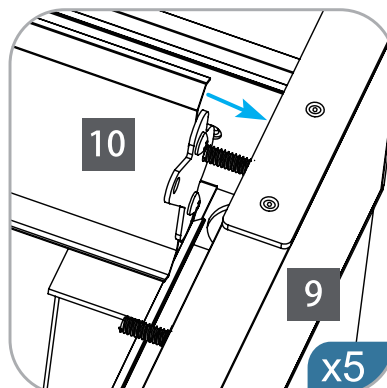
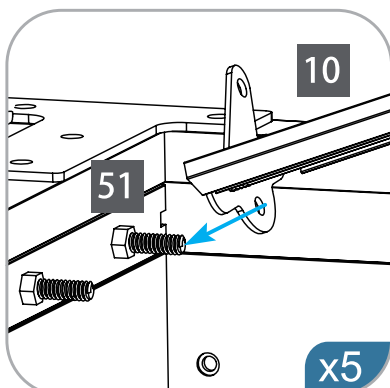
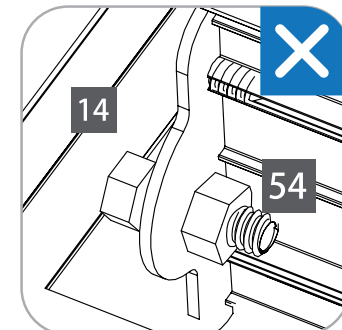
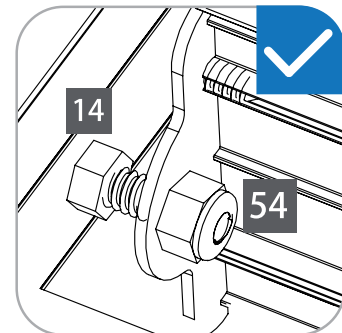
IMPORTANT:

Make sure the louver directions are correct and install louvers (10) from right to left of the roof profile frame. Insert one side of the louvers (10) into screw (51) with a slop, then place another side.



ATTENTION:

DO NOT OVER TIGHTEN SCREW (54).



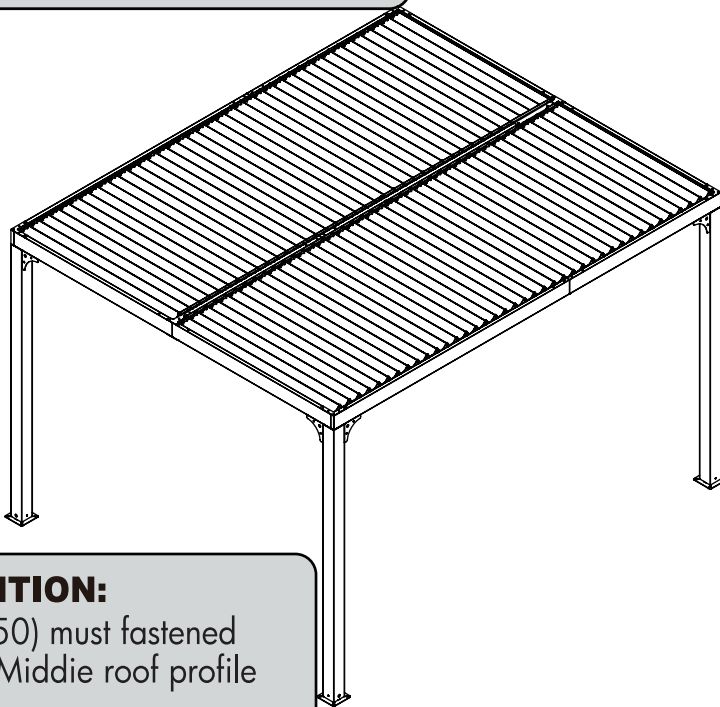
6.D

Connect louver pullers (39,41) by screw (48) as shown.
Place plastic washer (56) between louver puller sets (39+41) and louver connectors (15), fasten with screw (50) as shown.
Repeat to assemble louvers (10) on the roof profile frame and connect with louver puller set (39+41), FIVE pieces louvers (10) at a time.
Repeat to finish left side louvers.



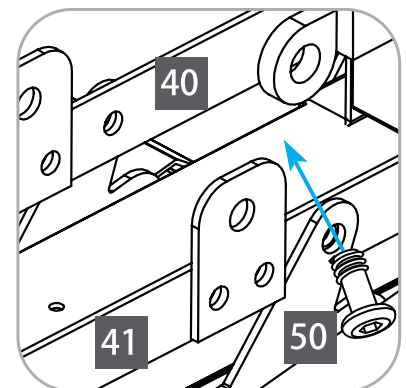
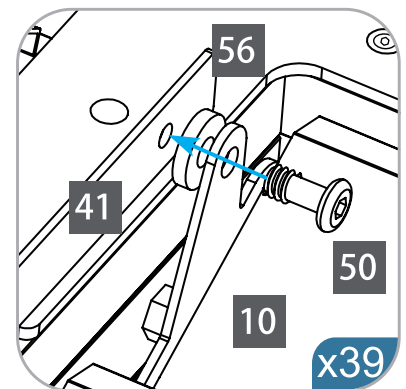
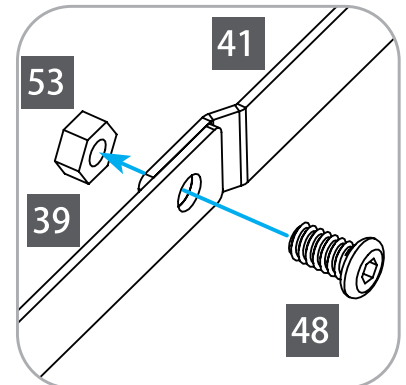
IMPORTANT:

Louver puller (40) hanger must be installed at the same side of louver connectors (15).



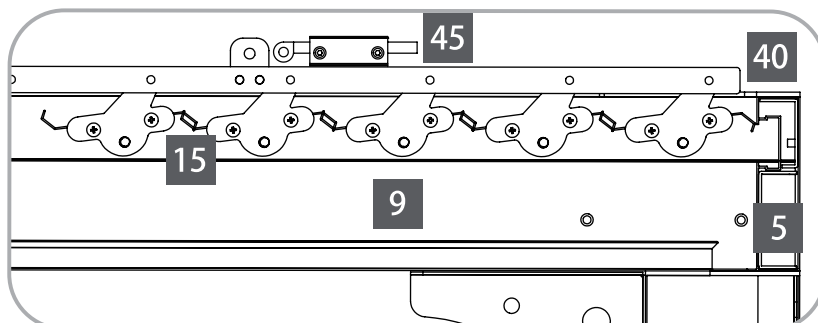
ATTENTION:

Screw (50) must be fastened toward the middle roof profile (2+3).



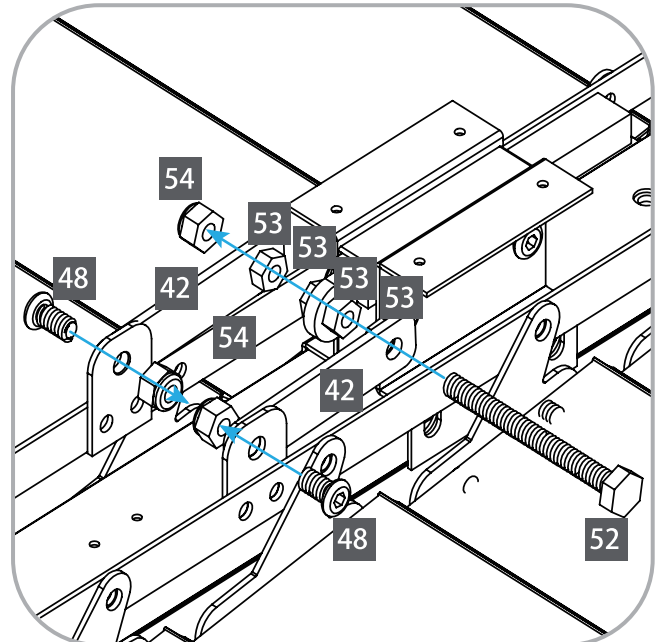
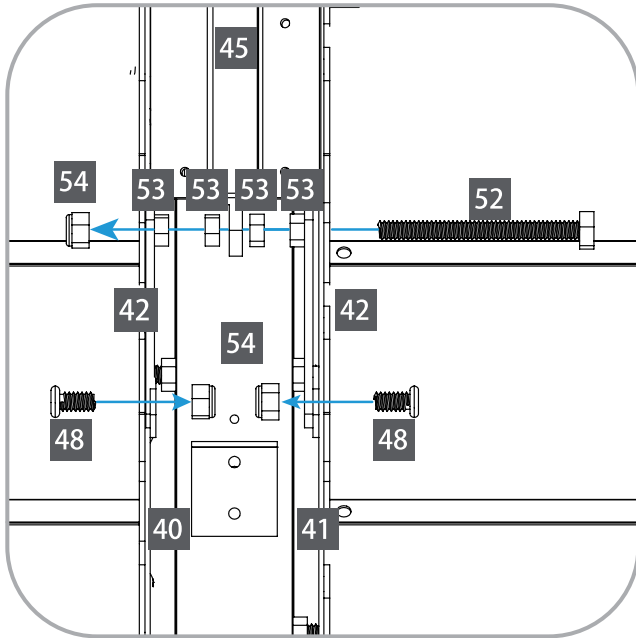
IMPORTANT:

The Hanger of louver puller (40) must be installed at the same side of Controller (15).

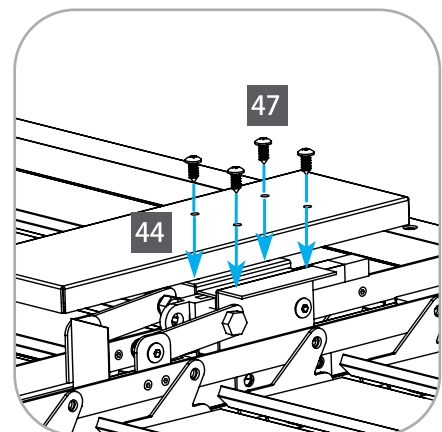
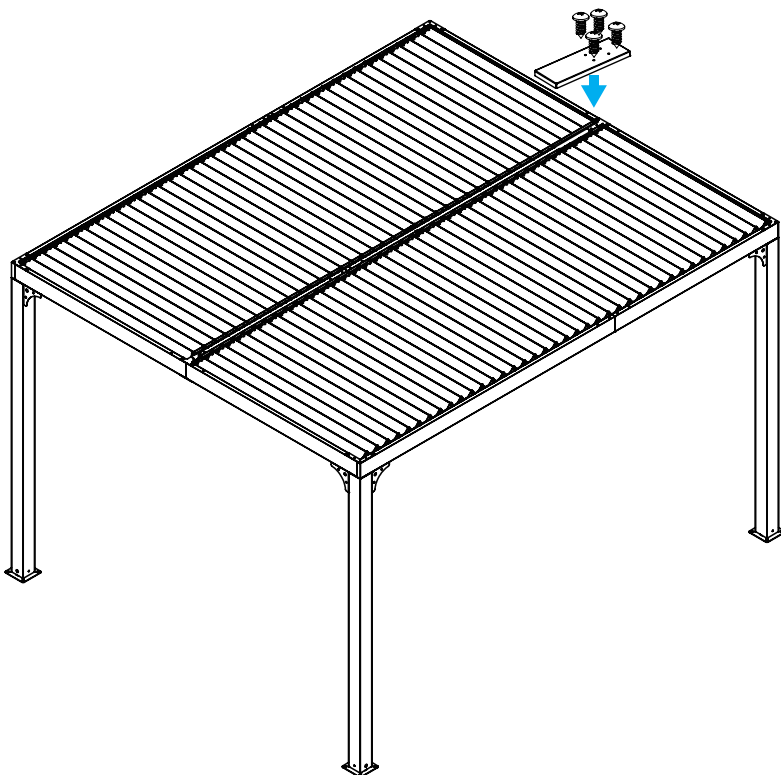


6.E

Assemble one side of two puller connectors (42) to controller (45) with screw (52) assemble though TWO screws (53) at each side of controller (45) and fasten with nuts (54). Connect another side of puller connectors (42) to louver pullers (40,41), fasten with screws (48) and nuts (54). Attach controller cover (44) to the top of controller (45) pre-drilled hole by four screws (47).

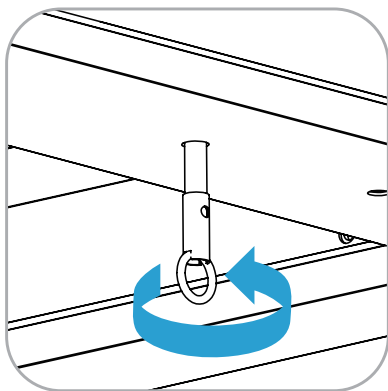
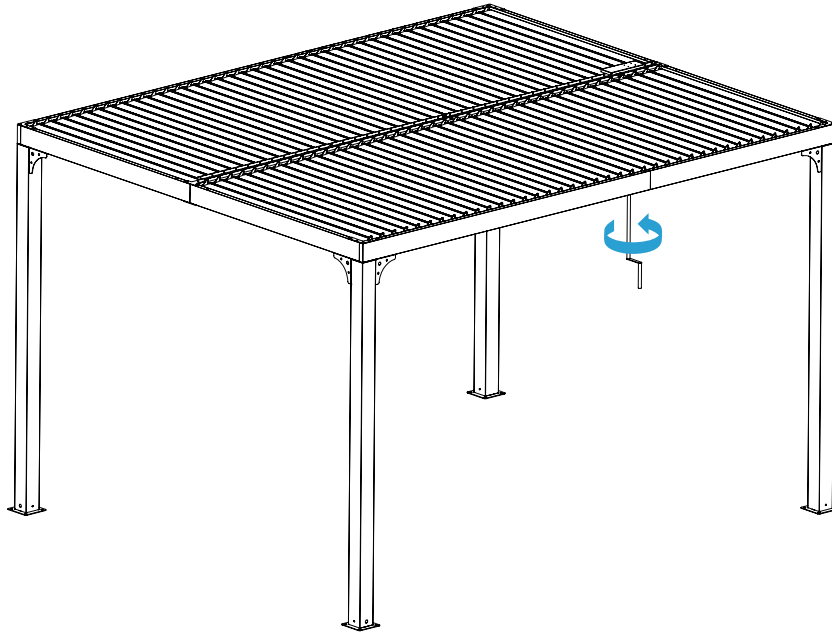


VIEWS FROM TOP

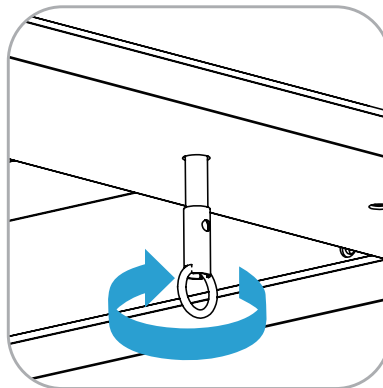


6.F

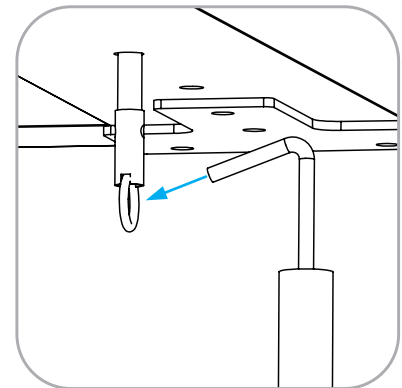
Using Rocker (58) turning the ring cap (46) clockwise and counter clockwise to open and close the louver roof.



VIEWS FROM BELOW



VIEWS FROM BELOW

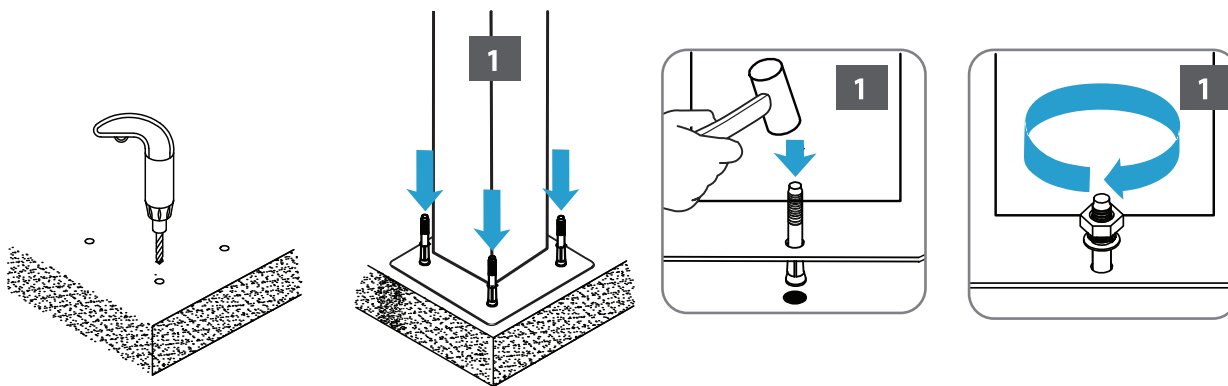
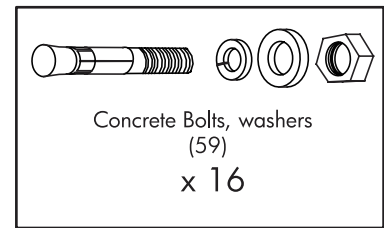


VIEWS FROM BELOW

STEP 7 Securing the Gazebo to a Concrete Floor or Wood Deck

Concrete Floor:

1. Using a concrete drill, drill holes into the concrete floor, corresponding to the holes in support plates (8).
2. Insert concrete bolts into the holes and hammer into place, using a mallet.
3. Fasten concrete bolts with washers and nuts.

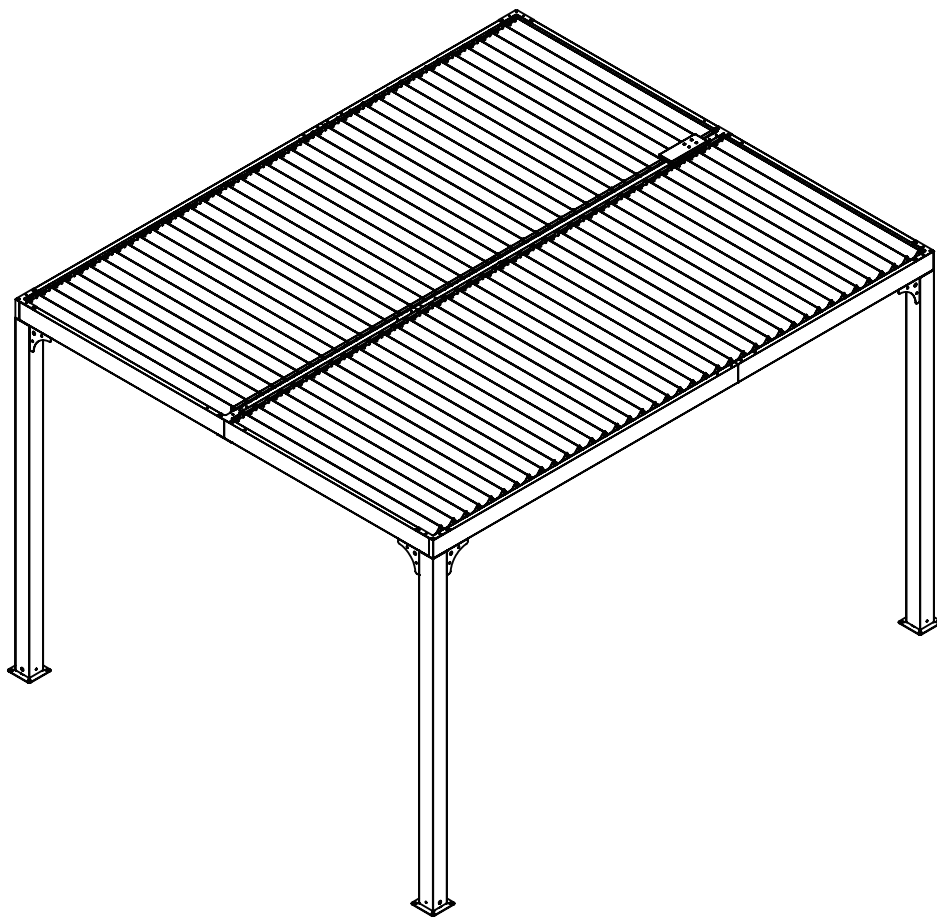


Wood Deck:

1. Using an electric wood drill, drill holes into the wood floor, corresponding to the holes in support plates (8).
2. Insert wood screws with washers (not supplied) into the holes and fasten, using an electric screw driver.



Enjoy your completed Pergola !






10 x 12' Louver Pergola

Assembly Instructions

WARRANTY:

Warranty covers damage due to manufacturing defects only for a period of 3 years on the structure from date of purchase. Warranty does not cover weather inflicted damage and/or damages caused by not following assembly instructions and adhering to warnings in manual. Warranty does not cover user error, negligence, or misuse.

 **WARNING:** Cancer and Reproductive Harm-
www.P65Warnings.ca.gov.

 **AVERTISSEMENT:** Cancer et Troubles de l' appareil reproducteur-
www.P65Warnings.ca.gov.

 **ADVERTENCIA:** Cáncer y Daño Reproductivo-
www.P65Warnings.ca.gov.



  @paragonoutdoorcompany

Paragon Group USA

Customer Service: (877) 782 4482 Email: cs-outdoors@paragongroupusa.com