
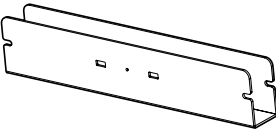
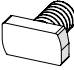


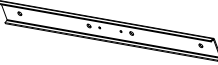

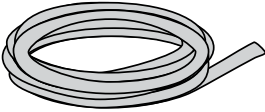
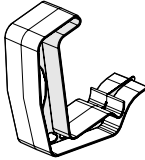
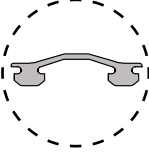
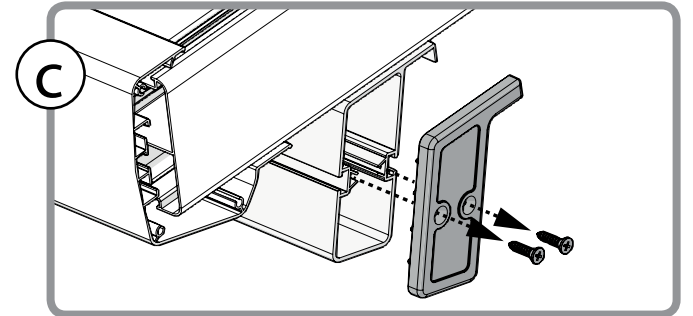
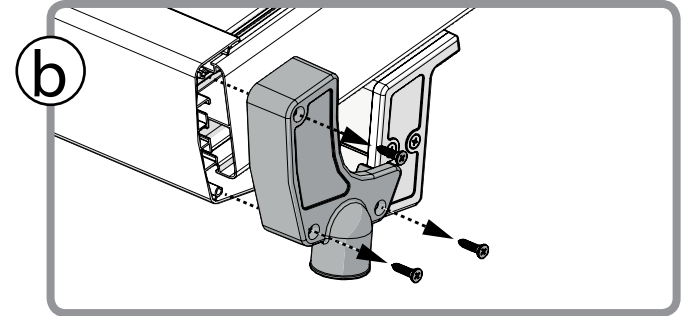
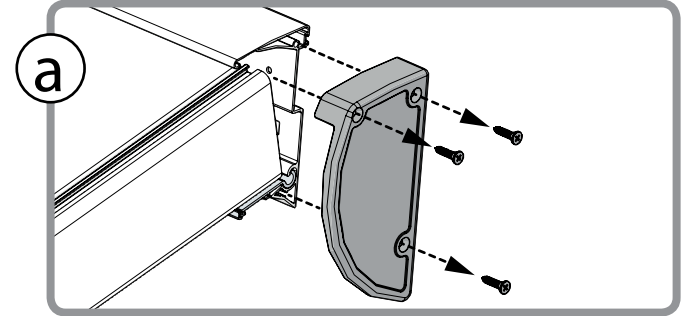
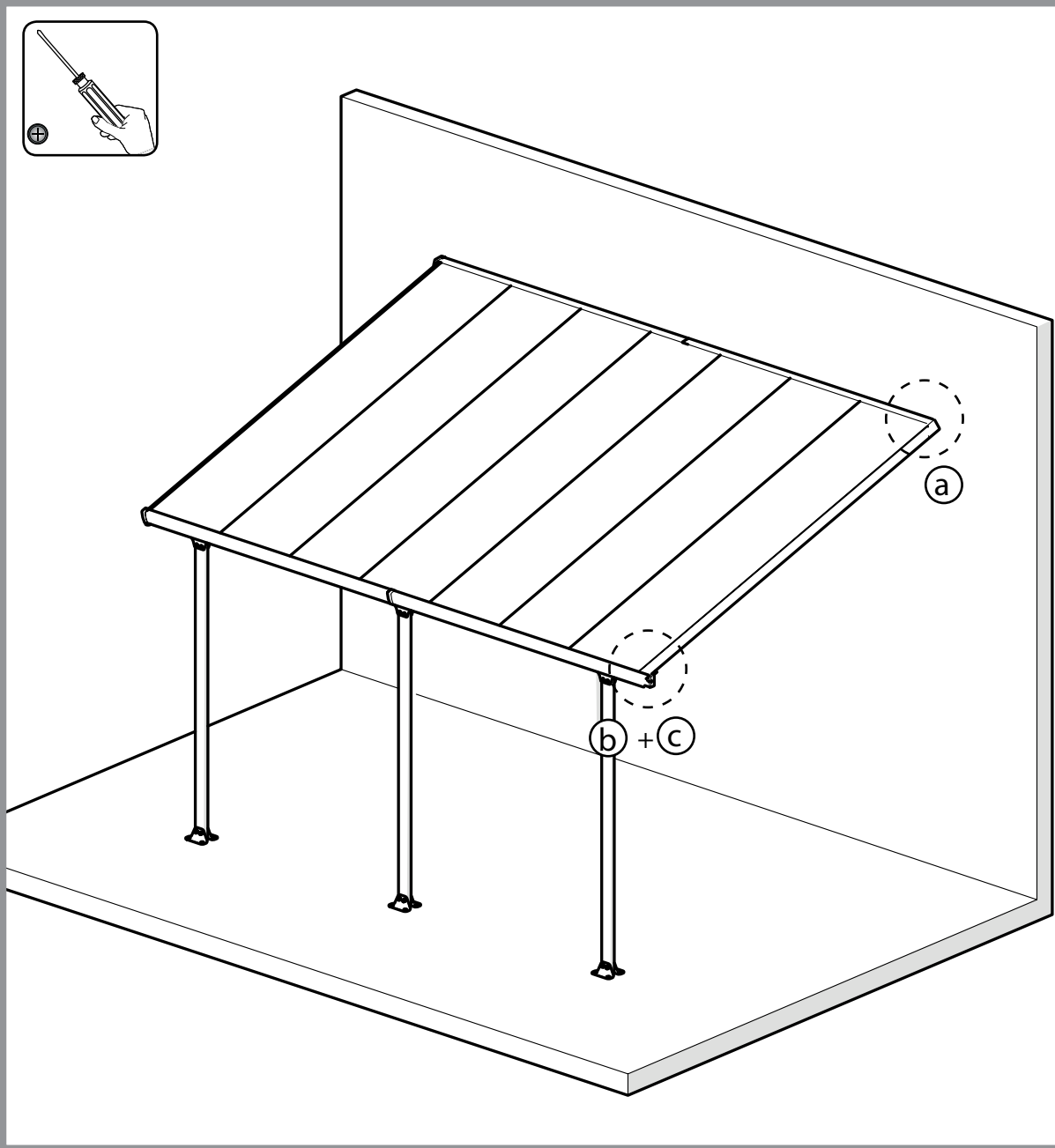
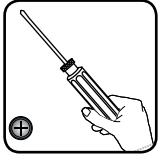


Contents

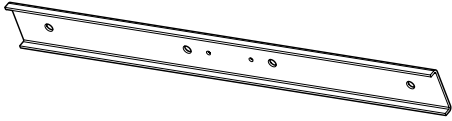
Item		Qty.	Item		Qty.
411		9 (+1)	7431		1
461		4 (+1)	7334		1
466		13 (+1)	7039		2
7335		1 (+1)	7440		1
7029		1			

1



2

7039

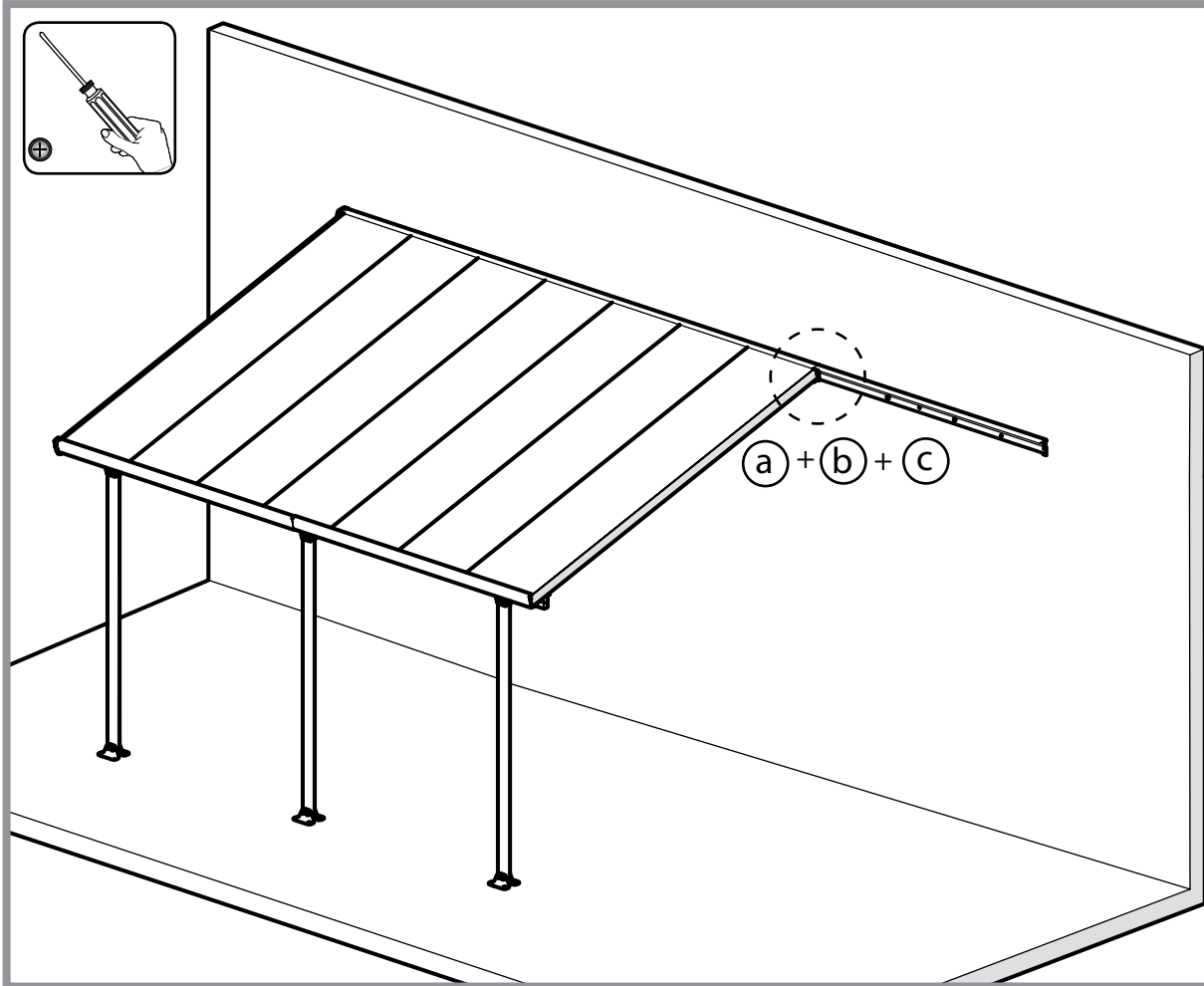
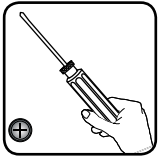


1

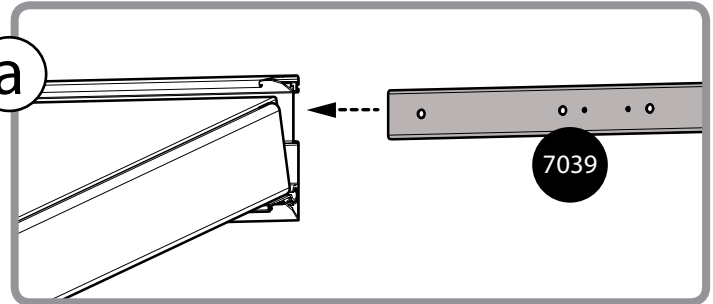
7335



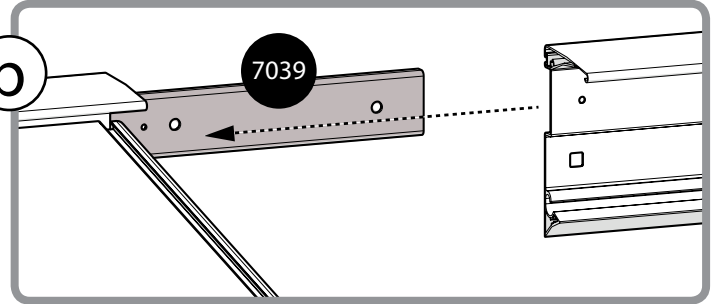
1



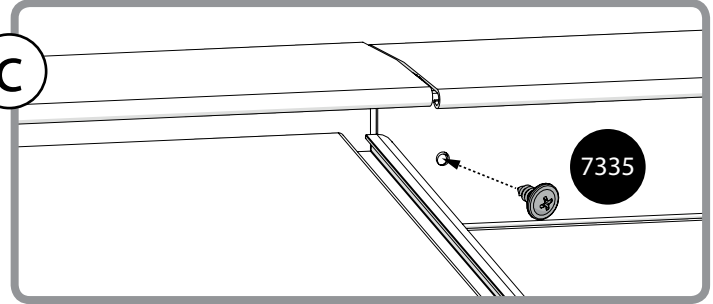
a



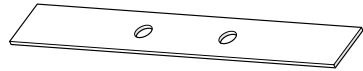
b



c



7334



1

411

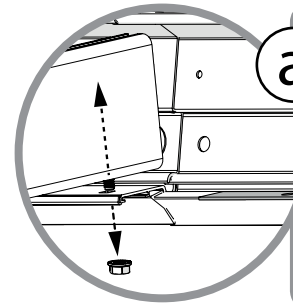
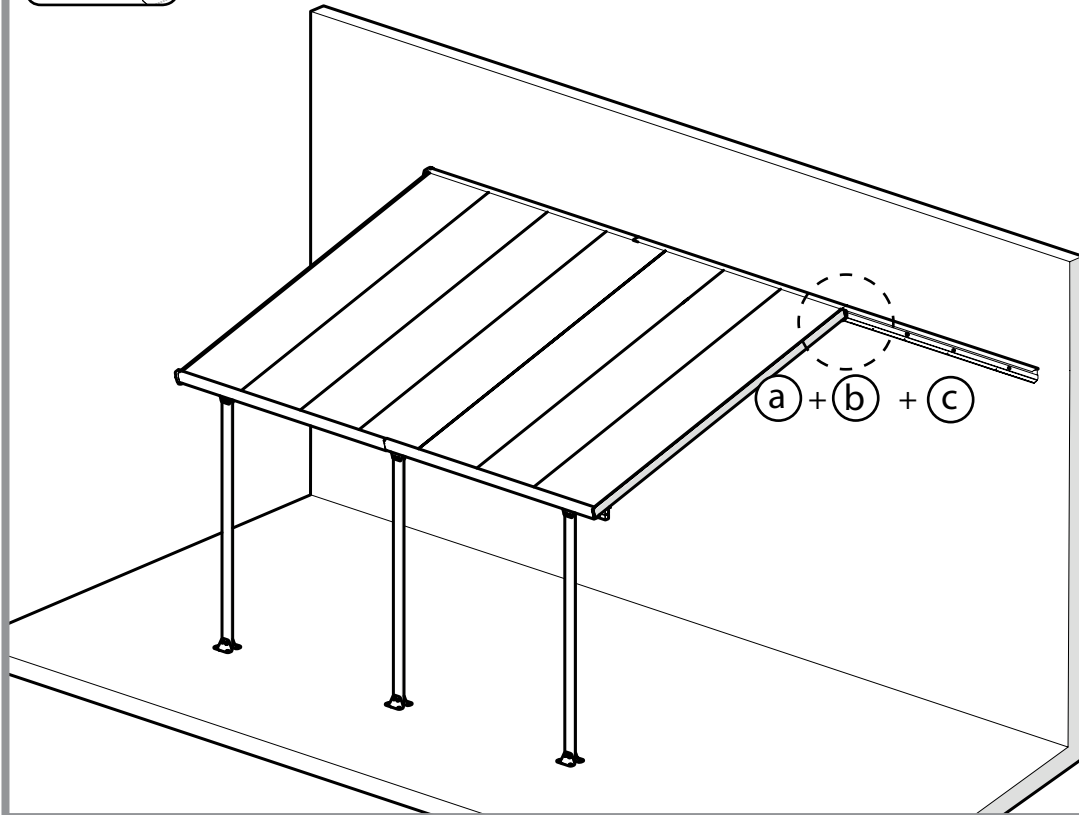
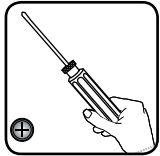


1

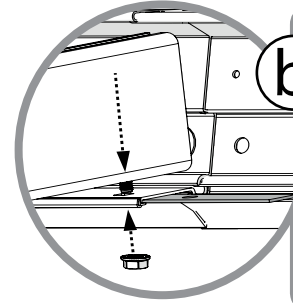
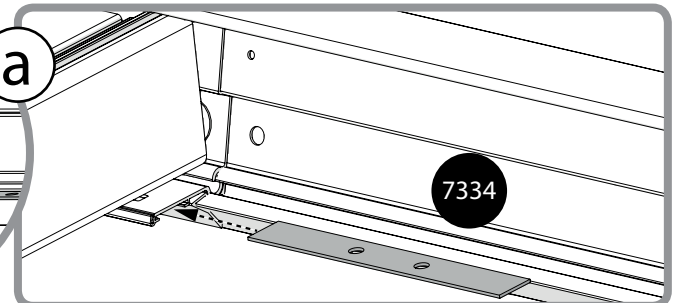
466



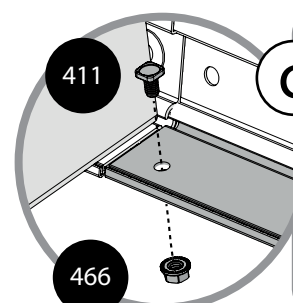
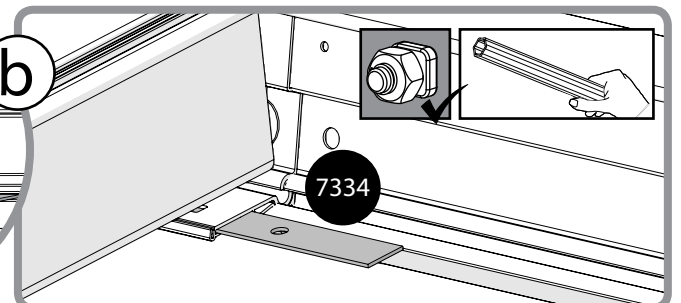
1



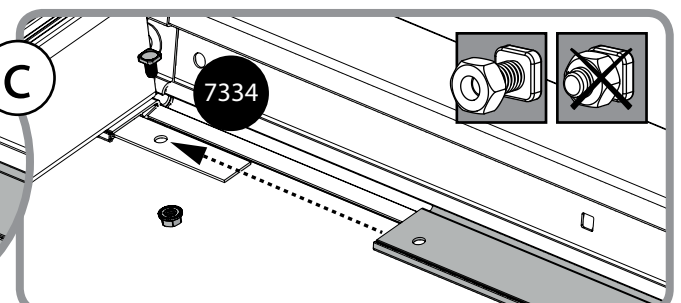
a



b



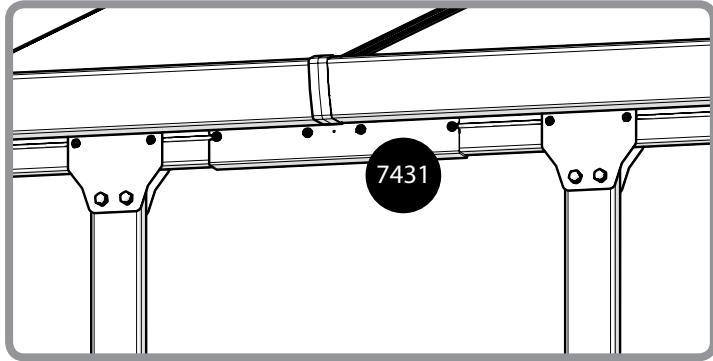
c



4

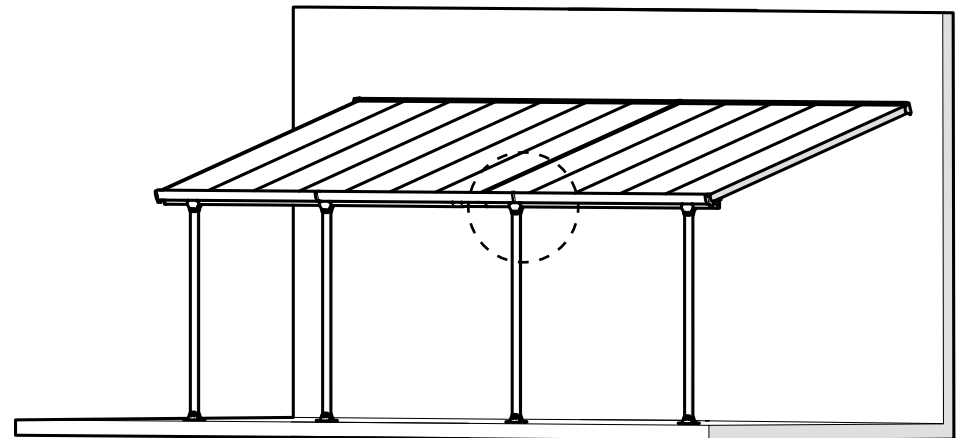
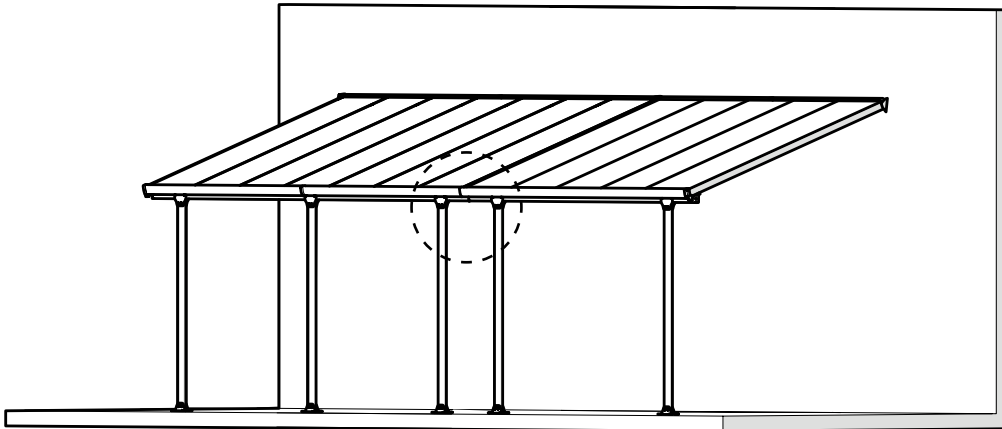
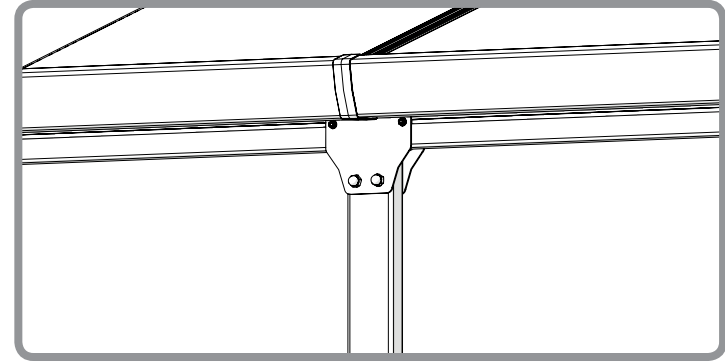


Option 1





OR

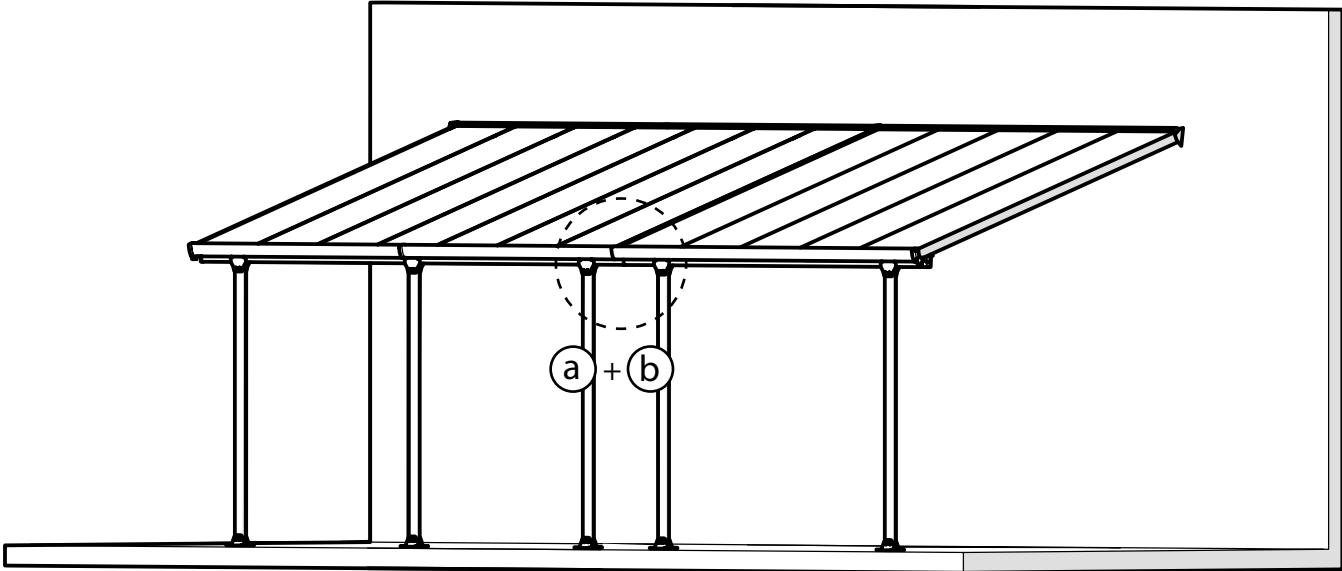
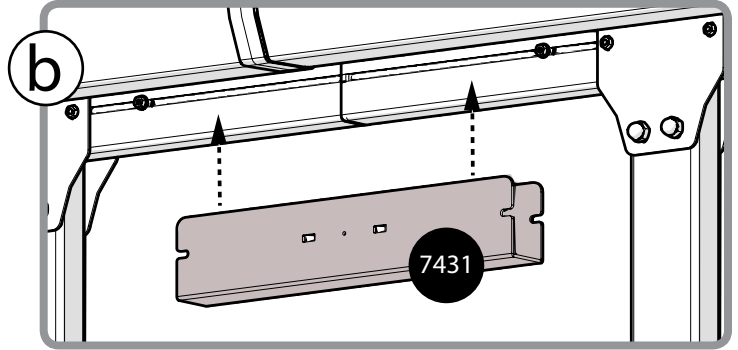
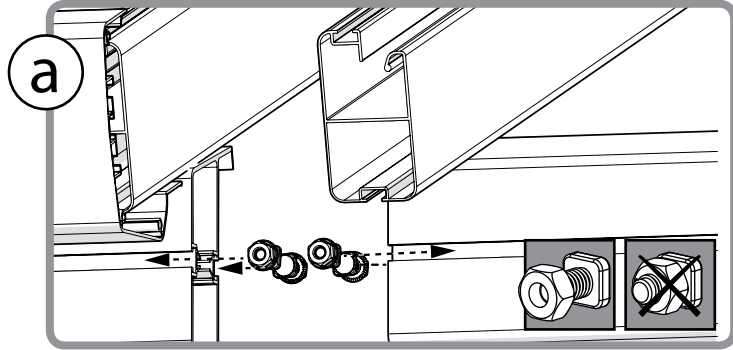
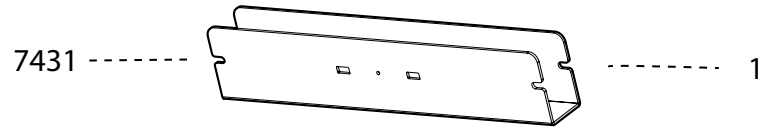
Option 2



5

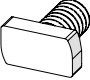
Option 1


- 411  4
- 466  4

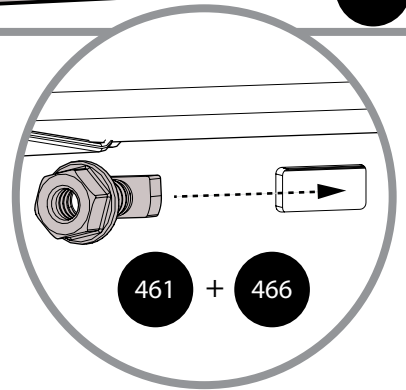
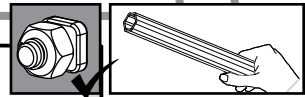
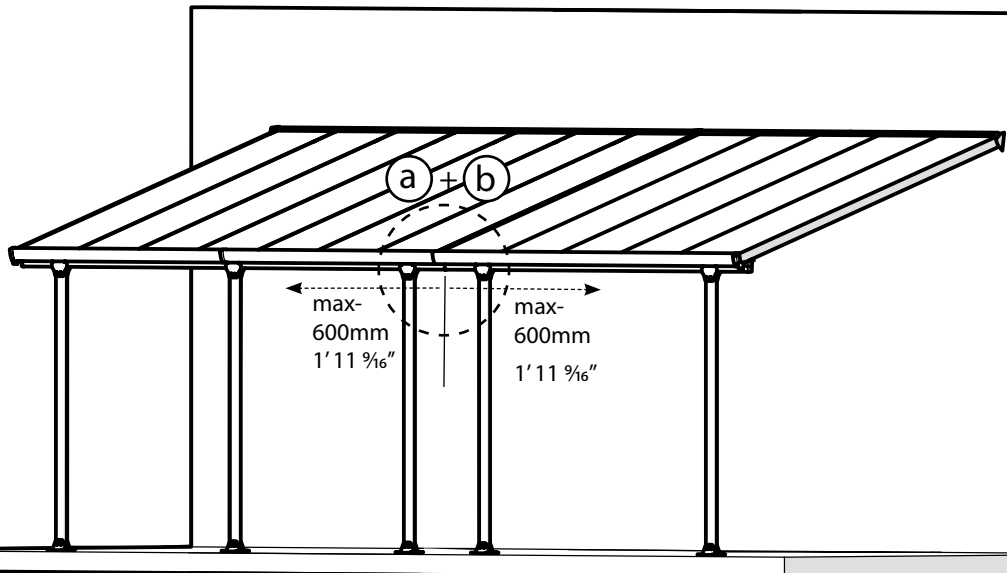
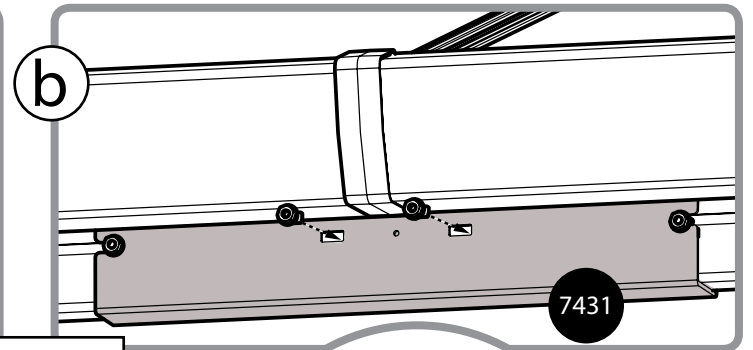
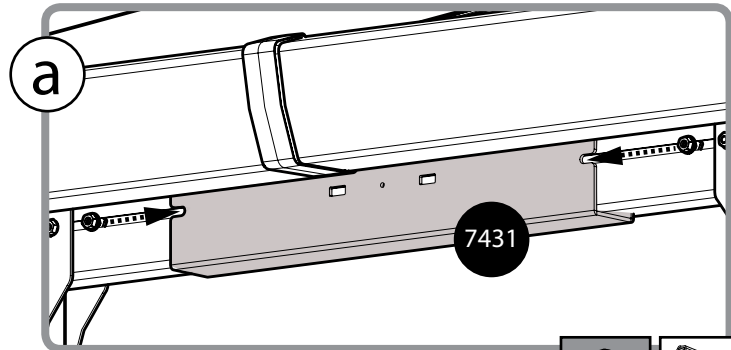


6 **i**

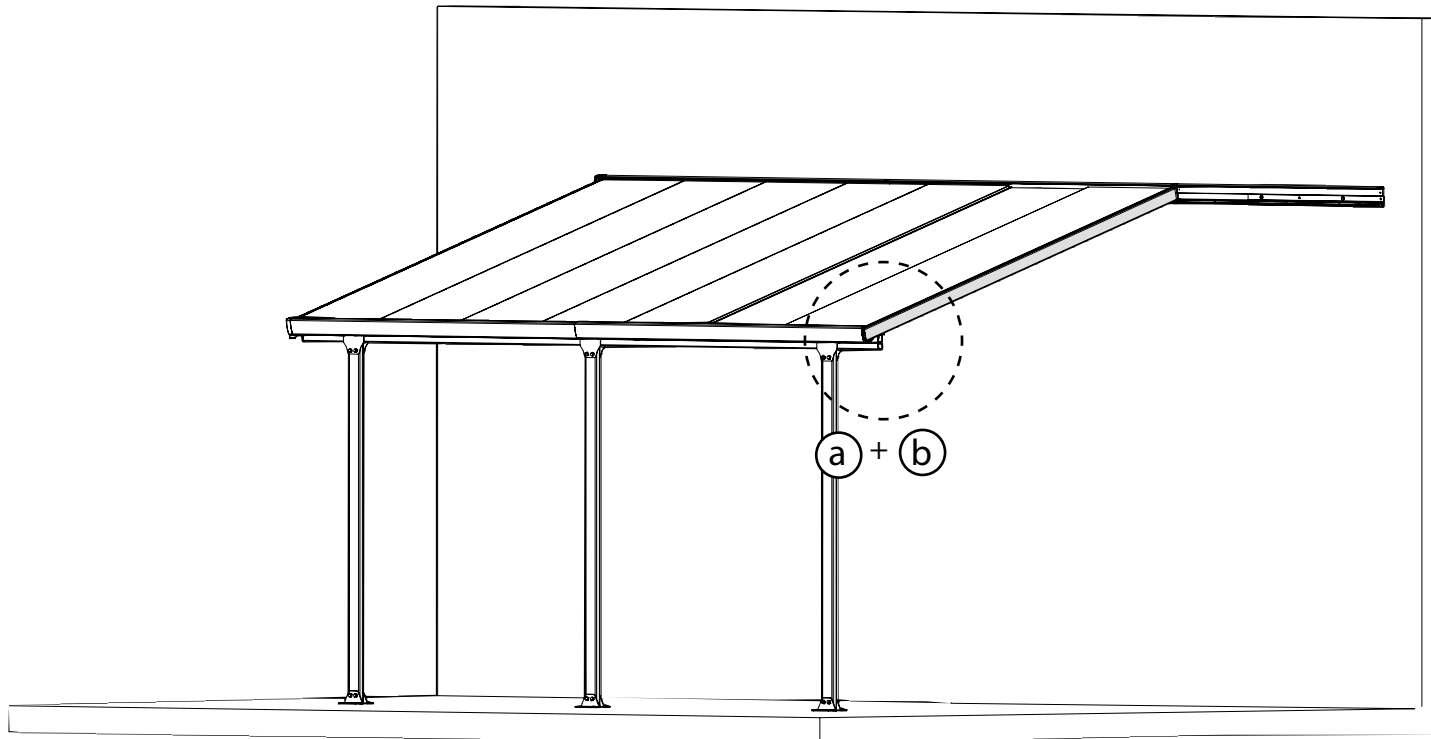
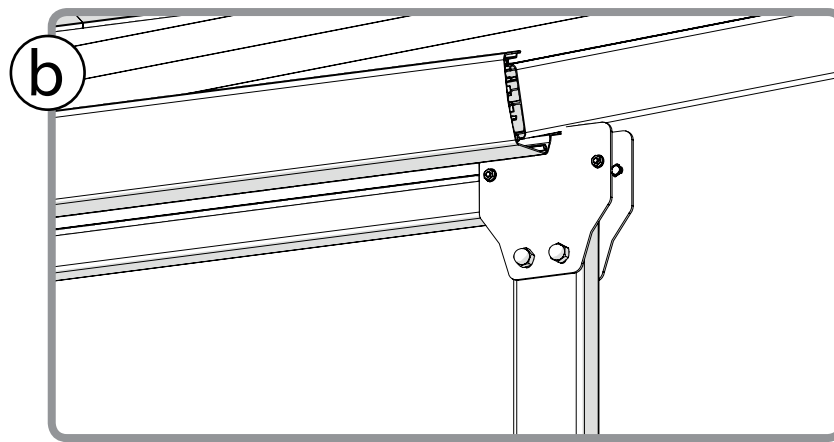
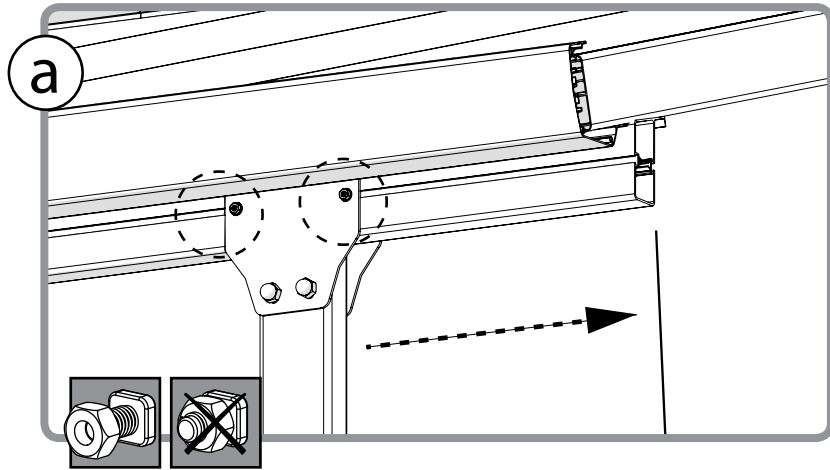
Option 1

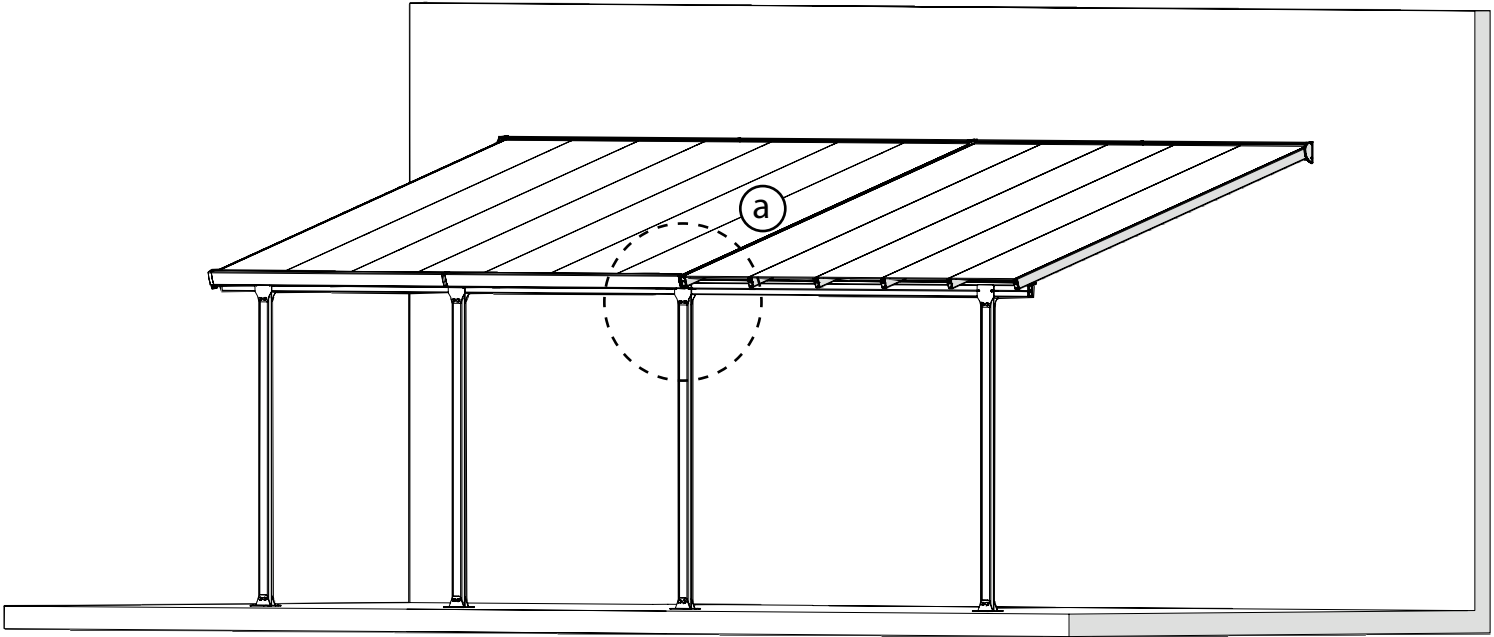
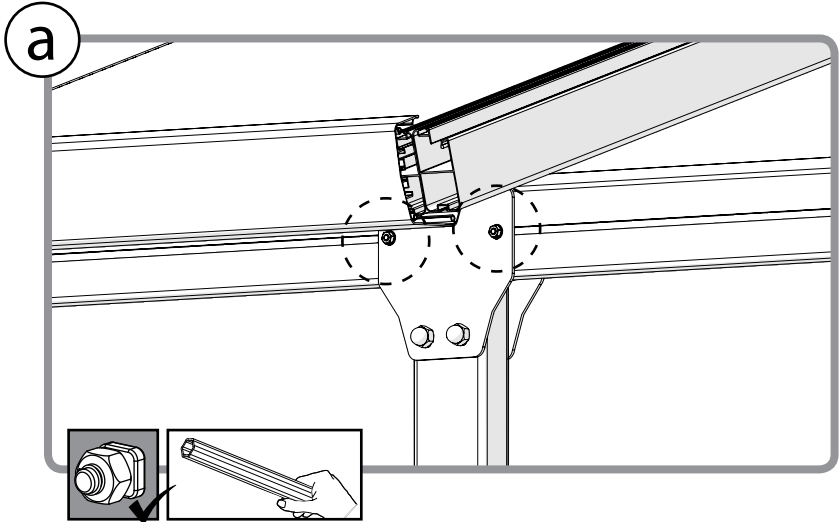
461 -----  ----- 4

466 -----  ----- 4



7 **i** Option 2

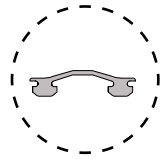
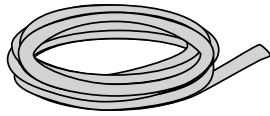




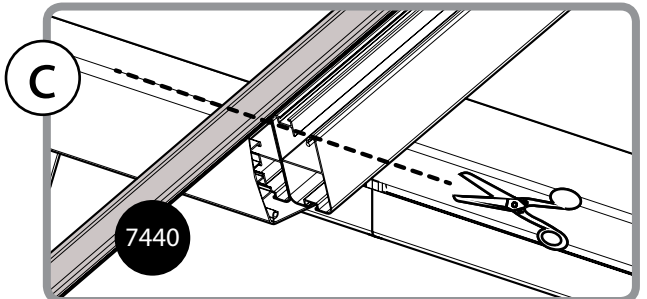
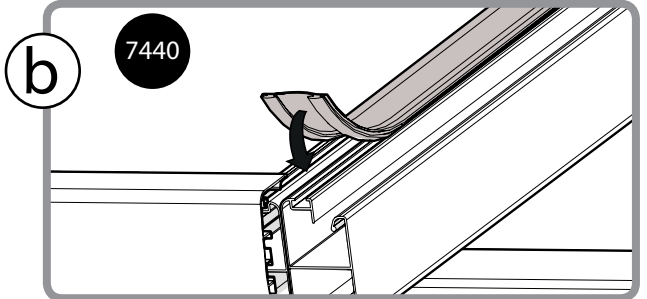
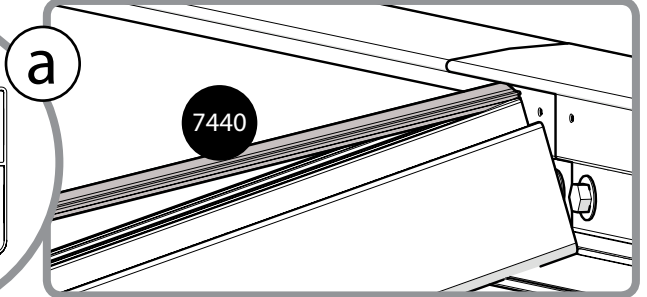
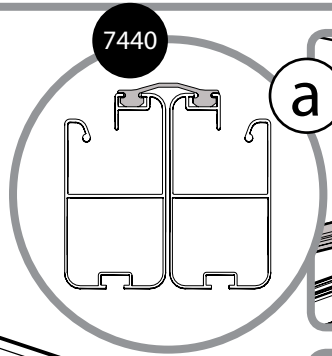
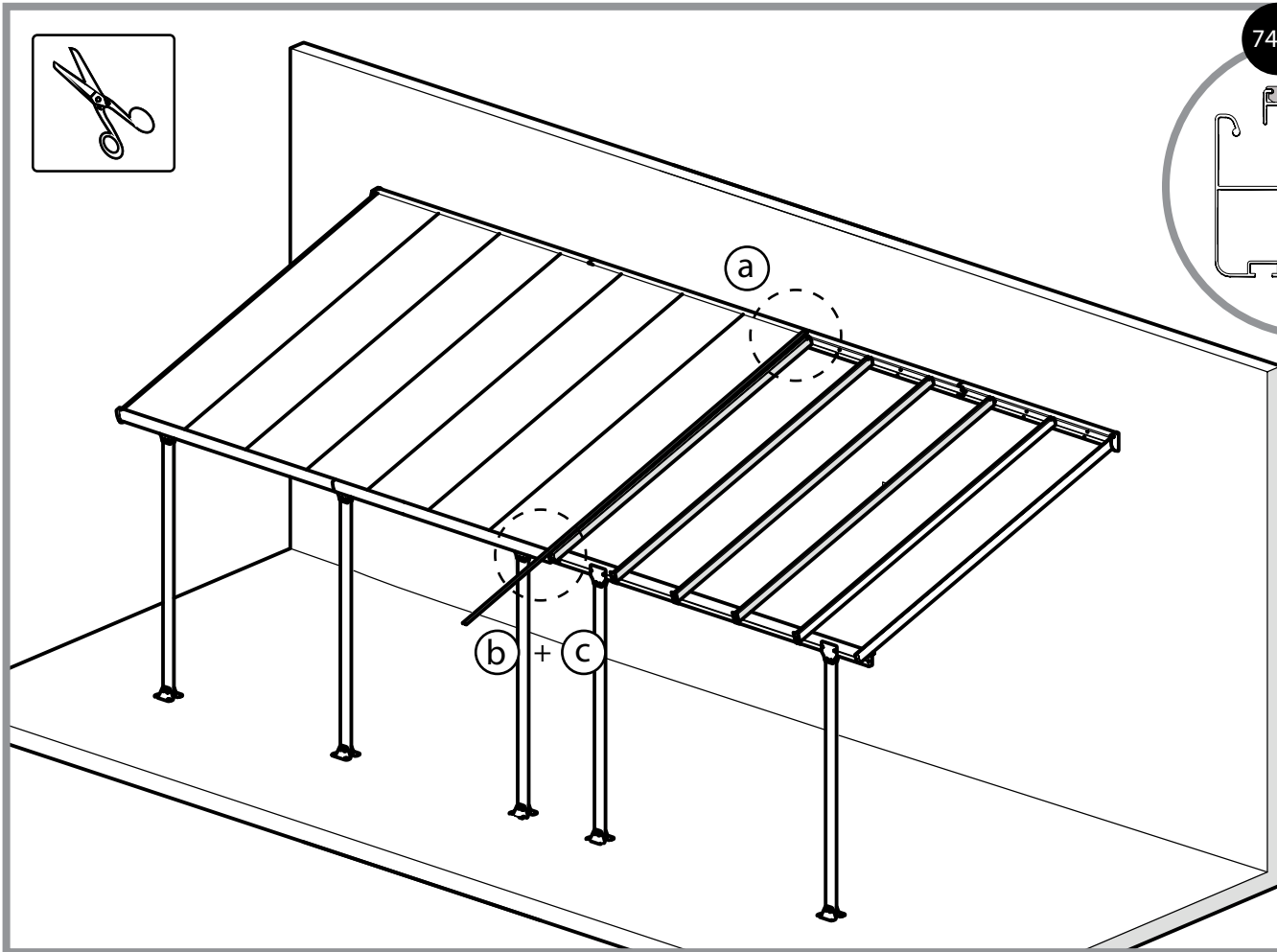
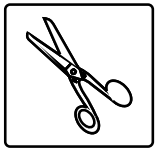
9

Options 1+2

7440

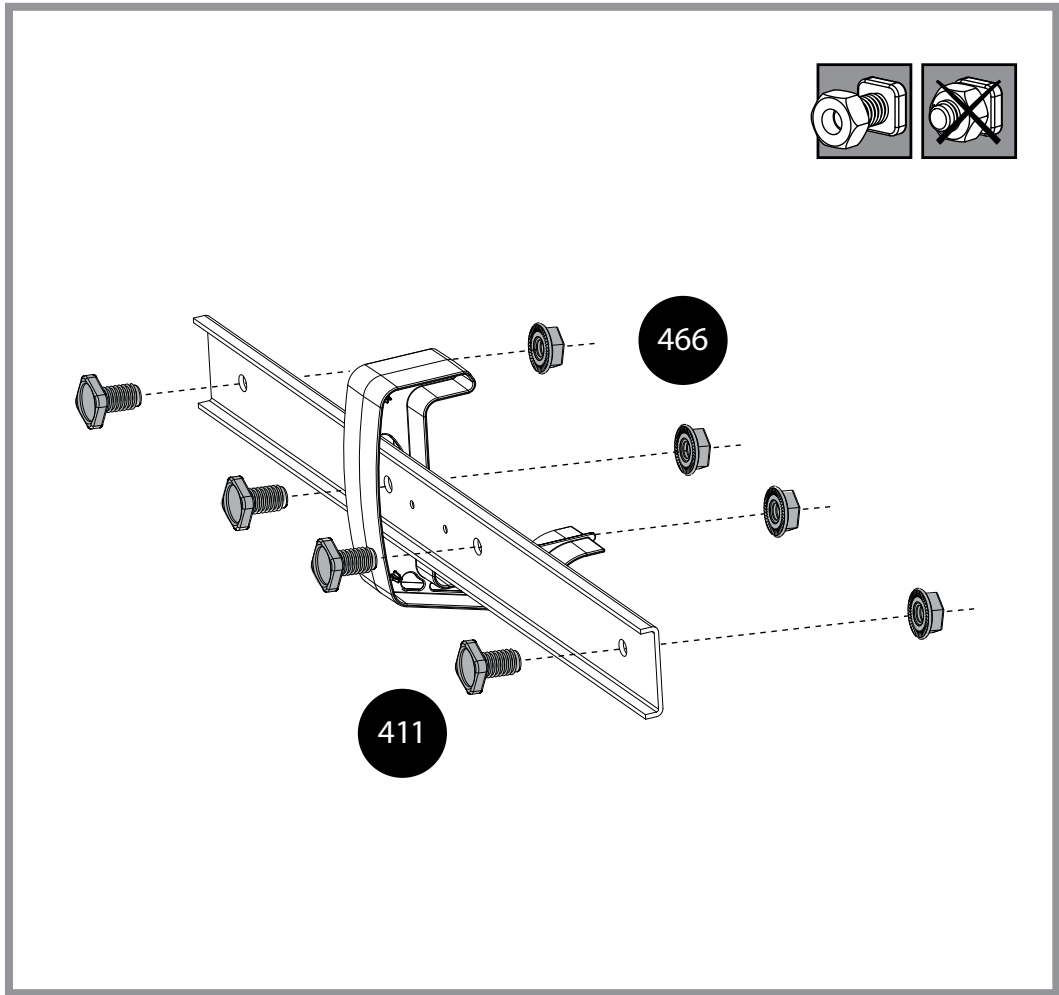
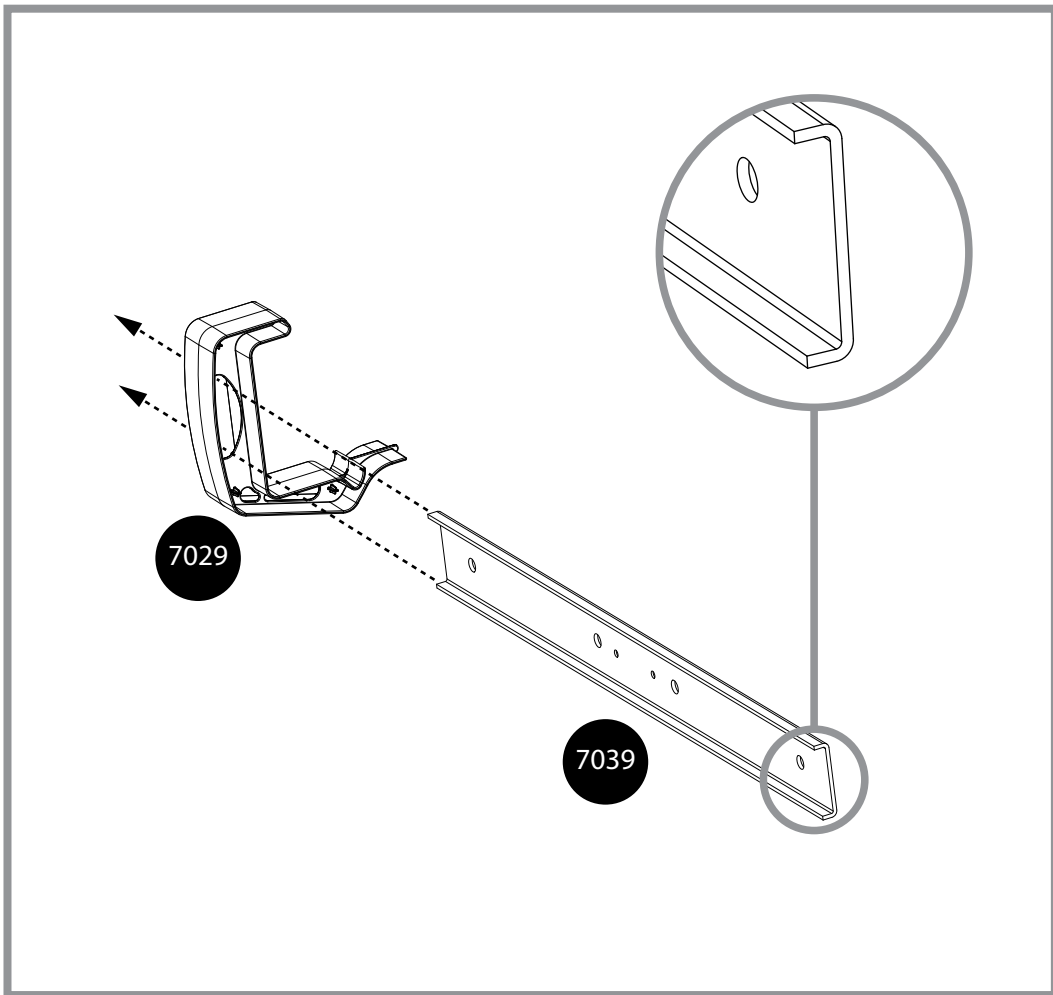
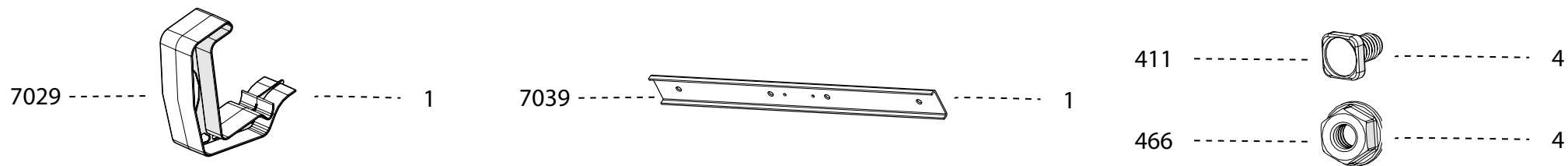


1



10

Options 1+2



11



Options 1+2

